



S-636 / S-646 SE

Quickie® S-636 / S-646 SE

BC, SC, MPC / BD, SD, MPD

Supplier: This manual must be given to the user of this wheelchair.

User: Before using this wheelchair read this entire manual and save for future reference.

Owner's Manual



SUNRISE LISTENS

Thank you for choosing a Quickie wheelchair. We want to hear your questions or comments about this manual, the safety and reliability of your chair, and the service you receive from your Sunrise supplier. Please feel free to write or call us at the address and telephone number below:

Sunrise Medical
Customer Service Department
7477 East Dry Creek Parkway
Longmont, Colorado 80503
(303) 218-4500 or (800) 333-4000

FOR ANSWERS TO YOUR QUESTIONS

Your authorized supplier knows your wheelchair best, and can answer most of your questions about chair safety, use and maintenance. For future reference, fill in the following:

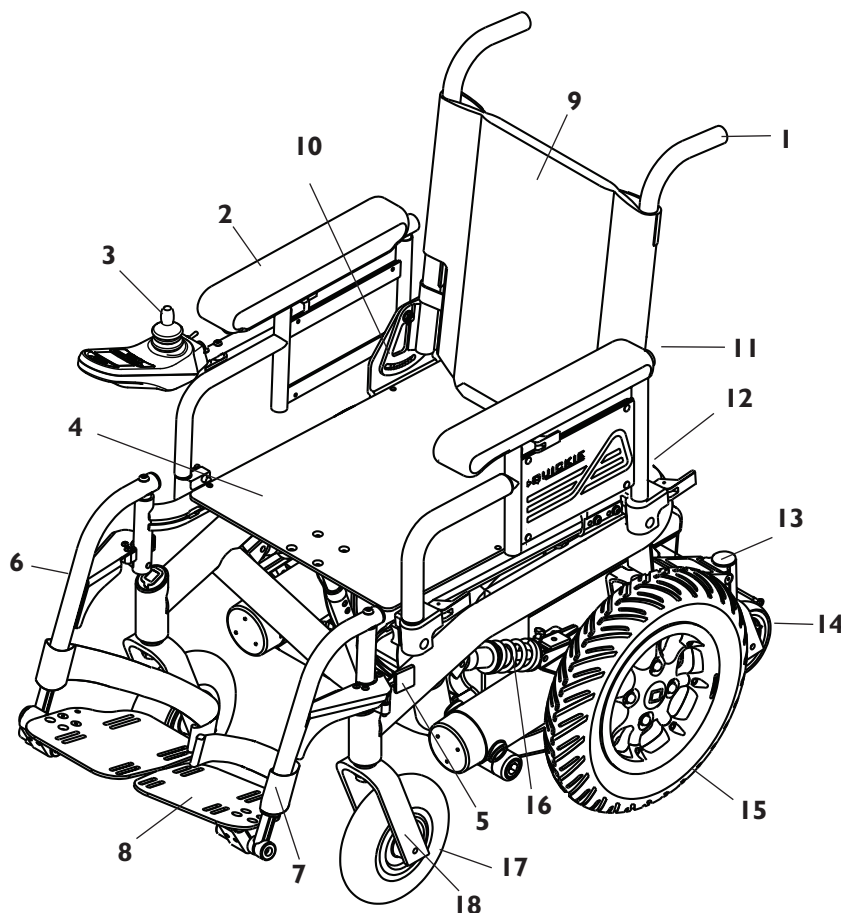
Supplier: _____

Address: _____

Telephone: _____

Serial #: _____ Date/Purchased: _____

III. YOUR CHAIR AND ITS PARTS	4
IV. NOTICE- READ BEFORE USE	6
V. EMI (ELECTROMAGNETIC INTERFERENCE)	7
A. WHAT IS EMI?.....	7
B. WHAT EFFECT CAN EMI HAVE?.....	7
C. SOURCES OF EMI.....	7
D. DISTANCE FROM THE SOURCE.....	7
E. IMMUNITY LEVEL.....	7
F. REPORT ALL SUSPECTED EMI INCIDENTS	7
VI. GENERAL WARNINGS	8
A. NOTICE TO RIDER	8
B. NOTICE TO ATTENDANTS	8
C. WEIGHT LIMIT.....	8
D. CONTROLLER SETTINGS.....	8
E. EMI	8
F. SAFETY CHECK-LIST.....	8
G. CHANGES & ADJUSTMENTS	9
H. WHEN SEATED IN A PARKED WHEELCHAIR	9
I. ENVIRONMENTAL CONDITIONS.....	9
J. TERRAIN.....	9
K. STREET USE	9
L. MOTOR VEHICLE SAFETY.....	9
M. CENTER OF BALANCE.....	9
N. TRANSFERS	10
O. REACHING OR LEANING.....	10
P. DRESSING OR CHANGING CLOTHES.....	10
Q. OBSTACLES.....	10
R. DRIVING IN REVERSE.....	10
S. RAMPS, SLOPES & SIDEHILLS.....	10
T. TO REDUCE THE RISK OF A FALL, TIP-OVER OR LOSS OF CONTROL	11
U. RAMPS AT HOME & WORK.....	11
V. WHEELCHAIR LIFTS.....	11
W. CURBS & SINGLE STEPS	11
X. STAIRS	11
Y. ESCALATORS	11
VII. WARNINGS: COMPONENTS & OPTIONS	12
A. ANTI-TIP LEVERS	12
B. ARMRESTS	12
C. BATTERIES.....	12
D. CUSHIONS & SLING SEATS	12
E. FASTENERS	12
F. FOOTRESTS	12
G. MOTOR LOCKS	12
H. ON/OFF SWITCH	12
I. PNEUMATIC TIRES.....	12
J. POSITIONING BELTS.....	12
K. PUSH HANDLES	13
L. REAR WHEEL LOCKS	13
M. SEATING SYSTEMS.....	13
N. UPHOLSTERY FABRIC.....	13
O. ASSIGNABLE CONTROLS.....	13
VIII. TIPS FOR ATTENDANTS	13
A. TO CLIMB A CURB OR SINGLE STEP.....	13
B. TO DESCEND A CURB OR SINGLE STEP	13
IX. SET-UP, ADJUSTMENT, & USE	14
A. NOTES.....	14
B. TOOLS YOU WILL NEED	14
C. CHECK-OUT.....	14
D. BATTERY REMOVAL.....	15
E. SWING-AWAY FOOTRESTS.....	15
F. ELEVATING LEGREST	15
G. TO ADJUST THE HEIGHT OF THE REMOTE JOYSTICK	15
H. REMOTE JOYSTICK SWING-AWAY RETRACTABLE MOUNT.....	16
I. DUAL-POST HEIGHT-ADJUSTABLE FLIP-BACK ARMRESTS	16
J. HEIGHT-ADJUSTABLE ARMRESTS.....	16
K. BACKREST	17
L. SEAT DEPTH.....	17
M. SEAT HEIGHT AND ANGLE ADJUSTMENT.....	17
N. WHEEL LOCKS	17
O. SUSPENSION	18
P. CHECK-OUT.....	18
X. OPERATING INSTRUCTIONS	19
-POWER RECLINE	19
A. NOTES.....	19
B. TOOLS YOU WILL NEED.....	19
C. LATERAL THORACIC SUPPORTS.....	20
D. HEADREST	20
E. ARMREST HEIGHT	20
F. ARMREST ANGLE.....	20
G. ARM TROUGHS	20
H. JAY® SOLID BACKREST- HEIGHT ADJUSTMENT	20
I. FOAM BACK.....	20
J. SEAT DEPTH.....	21
K. BACKREST PIVOT POINT	21
L. LEGREST.....	22
M. SEAT FRAME TILT STOP PADS.....	22
N. CHECK-OUT	22
-S-636/S-646 SE	23
A. PERFORMANCE CONTROL SETTINGS	23
B. ON BOARD PROGRAMMER OR DTT (DIAGNOSTIC TEST TOOL) OR RNET PC PROGRAMMER.....	23
C. THERMAL ROLL-BACK	23
D. JOYSTICK STATIONARY.....	24
E. VR2 JOYSTICK ASSEMBLY	24
F. R-NET JOYSTICKS & OMNI CONTROLLER.....	25
G. RNET CONTROLLER.....	26
H. LED JOYSTICK.....	27
I. LCD SCREEN	28
J. COLOR LCD SCREEN	29
K. MOTOR BRAKES	30
XI. BATTERIES	31
A. INTRODUCTION	31
B. BATTERY CHARGER	31
C. ACID BURNS (UNSEALED WET CELL BATTERIES)	32
D. CONNECTING BATTERIES IN BATTERY BOX.....	32
E. CHARGING BATTERIES.....	33
F. DISPOSING OF BATTERIES.....	33
XII. MAINTENANCE	34
A. NOTES	34
B. CLEANING	34
C. STORAGE TIPS	34
D. BATTERY MAINTENANCE.....	34
E. PNEUMATIC TIRES.....	35
F. TO REPAIR OR REPLACE A TIRE.....	35
G. MOTOR BRUSHES	35
H. ORDERING PARTS	35
I. MAINTENANCE CHART.....	36
XIII. WIRING DIAGRAMS	37
XIV. SUNRISE LIMITED WARRANTY	41



1. Push Handle
2. Flip back dual post armrest
3. Remote joystick
4. Aluminum Seat Pan
5. Swing-away footrest latch plate
6. Swing-away footrest hanger
7. Heel loop
8. Angle adjustable footplate
9. Backrest
10. Backrest pivot plate
11. Adjustable towel bar
12. Battery Box
13. Rear caster stabilizers
14. 4" Rear casters
15. 14" drive wheels
16. Suspension
17. 8" Front caster
18. Front caster fork

All features may not be available with some chair setups or in conjunction with another chair feature. Please consult your supplier for more information. Your authorized supplier can also provide you with more information on accessories.

QUICKIE S-636 / S-646 SE

Weight

156 lb. without batteries

Drive Wheels

14" Cast Aluminum

Tire types:

Standard - pneumatic

Option - airless insert

Joystick

Standard - remote (right-hand or left-hand mount)

Option - swing-away retractable joystick

Batteries

(2 deep cycle batteries required to operate chair)

Gp 24 deep cycle gel

Battery Charger

Standard - off board

Colors

See Order Form for current color selection.

Chair Parts

Standard - black

Positioning Belt

Standard - 1.5" auto buckle

Option - 2" aircraft buckle

Option - 2" padded aircraft buckle

User Weight Limit

S-636 BC/SC – 400 lbs

S-636 MPC – 300 lbs

S-646 BD/SD/MPD – 300 lbs

Seat Frame Dimensions

Seat Frame width: standard - 14"-24"

Seat depth: 14"-22"

Standard Cushion: 2" foam

Option- Cushions: Jay Cushions

Backrest

Standard - Non-folding: 15" - 24"

Footrest

Standard - Swing-away with angle adjustable footplates and heel loops.

Option - elevating legrests and multipositional

Casters

Standard - 8" airless insert

Option - 8" solid, 8" pneumatic

9" solid insert

Armrests

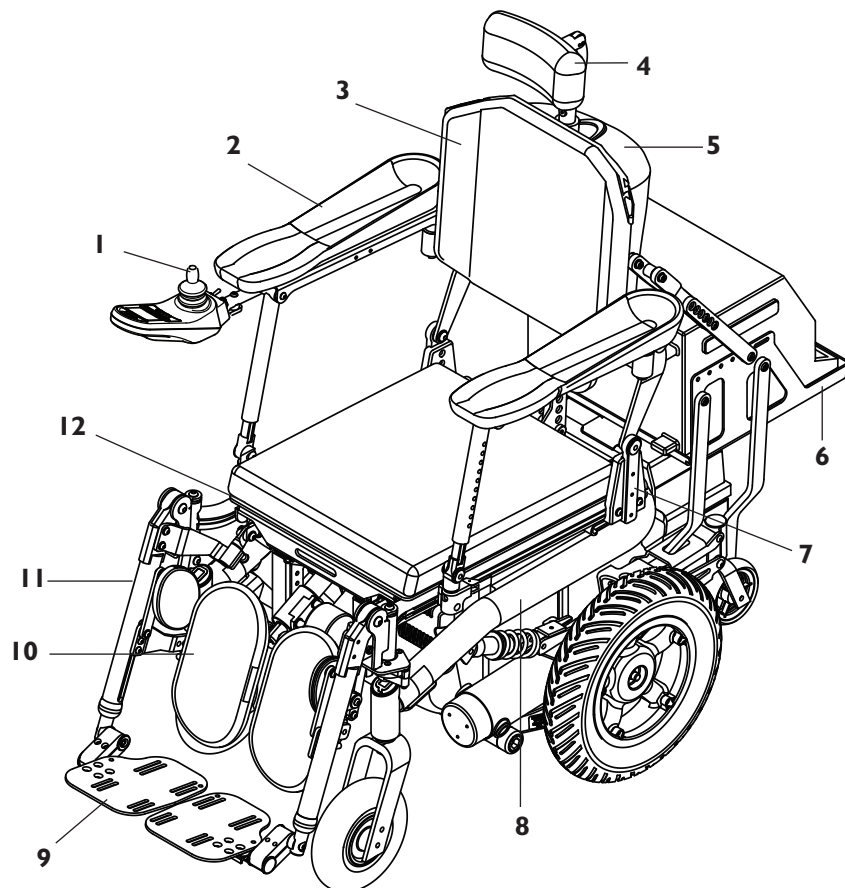
Standard - dual post flip back

Option - height-adjustable dual post or single post with desk or full length waterfall pads or standard pads

Wheel Locks

Option - Push-to-lock

Option - 6" extension handles



Quickie Power Recline

1. Remote Joystick
2. Height Adjustable Armrest
3. Backrest
4. Headrest
5. Back Support Shroud
6. Vent Tray (optional)
7. Backrest Pivot Plate
8. S-636 / S-646 Power Base
9. Angle Adjustable Foot Plate
10. Calf Pad
11. Elevating Legrest (optional)
12. Seat Pan

All features may not be available with some chair setups or in conjunction with another chair feature. Please consult your supplier for more information. Your authorized supplier can also provide you with more information on accessories.

QUICKIE POWER RECLINE

Joystick

- Standard— remote (right-hand or left-hand mount)
- Option— Swing-away retractable joystick

Seat Frame Dimensions

- Seat frame width— standard: 14"-24"
- Seat depth— 14"-22" adjustable
- Solid seat back
- Aluminum seat pan
- Optional cushions: Jay® cushions

CG Tilt: 3° - 50°

Recline: 90° - 170°

Backrest

- Standard— Non-folding 18" - 29"

Footrest

- Standard— Swing-away with angle-adjustable footplates and heel loops.
- Option— elevating legrests, multi-position, power ELR, power ALR

Armrests

- Standard— Reclining, height-adjustable, with pad or trough

Swing-Away Lateral Thoracic Supports

- Option— Curved or Straight

Headrest

- Standard— 8" x 5" or 7" x 4"
- Headrest pad

A. CHOOSE THE RIGHT CHAIR & SAFETY OPTIONS

Sunrise provides a choice of many power wheelchair styles, sizes and adjustments to meet the needs of the rider. However, final selection of a wheelchair rests solely with you and your health care professional. Choosing the best chair for you depends on such things as:

1. Your size, disability, strength, balance and coordination.
2. Your intended use, and your level of activity.
3. The types of hazards you must overcome in daily use (in areas where you are likely to use your chair).
4. The need for options for your safety and comfort (such as positioning belts or special seat systems).

B. ADJUST CHAIR TO YOUR ABILITY

You need to work with your doctor, nurse or therapist, and your supplier, to fit this chair and adjust the controller settings for your level of function and ability level.

C. REVIEW THIS MANUAL OFTEN

Before using this chair you, and each person who may assist you, should read this entire Manual and make sure to follow all instructions. Review the warnings often, until they are second nature to you.

D. WARNINGS

The word “WARNING” refers to a hazard or unsafe practice that may cause severe injury or death to you or to other persons. The “Warnings” are in four main sections, as follows:

1. V — EMI

Here you will learn about electromagnetic interference and how it can affect your chair.

2. VI — GENERAL WARNINGS

Here you will find a safety checklist and a summary of risks you need to be aware of before you ride this chair.

3. VII — WARNINGS — COMPONENTS & OPTIONS

Here you will learn about your chair. Consult your supplier and your health care professional to help you choose the best set-up and options for your safety.

4. XI — BATTERIES

Here you will learn about battery and charger safety, and how to avoid injury.

NOTE– Where they apply, you will also find “Warnings” in other sections of this Manual.

⚠ WARNING

Heed all warnings to reduce the risk of unintended brake release or chair movement:

1. **Beware of the danger from hand-held transceivers. Never turn on or use a hand-held transceiver while power to your chair is on. Use extra care if you believe that such a device may be in use near your chair.**
2. **Be aware of nearby radio or TV stations, and avoid coming close to them.**
3. **If unintended movement occurs, turn your chair off as soon as it is safe to do so.**

A. WHAT IS EMI?**⚠ WARNING**

1. EMI means: electromagnetic (EM) interference (I). EMI comes from radio wave sources such as radio transmitters and transceivers. (A “transceiver” is a device that both sends and receives radio wave signals).
2. There are a number of sources of intense EMI in your daily environment. Some of these are obvious and easy to avoid. Others are not, and you may not be able to avoid them.
3. Powered wheelchairs may be susceptible to electromagnetic interference (EMI) emitted from sources such as radio stations, TV stations, amateur radio (HAM) transmitters, two-way radios, and cellular phones.
4. EMI can also be produced by conducted sources or electrostatic discharge (ESD).

B. WHAT EFFECT CAN EMI HAVE?**⚠ WARNING**

1. EMI can cause your chair, without warning, to:
 - Release its brakes
 - Move by itself
 - Move in unintended directions
 If any of these occurs, it could result in severe injury to you or others.
2. EMI can damage the control system of your chair. This could create a safety hazard, and lead to costly repairs.

C. SOURCES OF EMI**⚠ WARNING**

The sources of EMI fall into three broad types:

1. Hand-Held Transceivers:

The antenna is usually mounted directly on the unit. These include: Citizens band (CB) radios, “Walkie-talkies”, Security, fire and police radios, Cellular phones, Lap-top computers with phone or fax, Other personal communication devices

NOTE– *These devices can transmit signals while they are on, even if not in use.*

2. Medium-Range Mobile Transceivers:

These include two-way radios used in police cars, fire trucks, ambulances and taxi cabs. The antenna is usually mounted on the outside of the vehicle.

3. Long-Range Transceivers:

These include commercial radio and TV broadcast antenna towers and amateur (HAM) radios.

NOTE– *The following are not likely to cause EMI problems: Lap-top computers (without phone or fax), Cordless phones, TV sets or AM/FM radios, CD or tape players.*

D. DISTANCE FROM THE SOURCE**⚠ WARNING**

EM energy rapidly becomes more intense as you get closer to the source. For this reason, EMI from hand-held devices is of special concern. (See C.1) A person using one of these devices can bring high levels of EM energy very close to your chair without you knowing it.

E. IMMUNITY LEVEL**⚠ WARNING**

1. The level of EM energy is measured in volts per meter (V/m). Every power wheelchair can resist EMI up to a certain level. This is called its “immunity level”.
2. The higher the immunity level, the less the risk of EMI. It is believed that a 20 V/m immunity level will protect the power wheelchair user from the more common sources of radio waves.
3. The configuration tested and found to be immune to at least 20 V/m is: Quickie S-636 / S-646 power wheelchair with a right hand mounted RNET remote joystick system, 20” seat width, 18” seat depth, dual-post height adjustable armrests, swing-away hangers and GP 24 gel cell batteries.
4. Specialty input devices with an unknown immunity level because the devices were not tested with the S-636 / S-646 and RNET controller include:

• Breath Control	• 5-Zero Touch Switch
• Heavy Duty Switched Joystick	• Treadle Switch
• Proportional Head Control	• Ribbon Switch
• Wafer Board	• Disc Switch
• Tri-Switch Head Array	• Buddy Button
• Proportional Mini-Joystick/Chin Control	• Micro Light
• Proximity Head Array	• Star Board
• Zero Touch Switch	• Penta Switch
• 4-Zero Touch Switch	• Plate Switch
	• Soft Switch
	• Grasp Switch
	• Wobble Switch

⚠ WARNING

Individuals with physical limitations requiring the use of a specialty control input device known not to be immune to 20 V/m, or not known, should exercise extra care around known sources of EMI.

⚠ WARNING

There is no way to know the effect on EMI if you add accessories or modify this chair. Any change to your chair may increase the risk of EMI. Parts from other suppliers have unknown EMI properties.

F. REPORT ALL SUSPECTED EMI INCIDENTS**⚠ WARNING**

You should promptly report any unintended movement or brake release. Be sure to indicate whether there was a radio wave source near your chair at the time.

Contact: Sunrise Medical Customer Service Department at (800) 333-4000.

⚠ WARNING

Heed all warnings in this section. If you fail to do so a fall, tip-over or loss of control may occur and cause severe injury to you or others.

A. NOTICE TO RIDER**⚠ WARNING**

1. Before using this chair, you should be trained in its safe use by your health care professional.
2. Every wheelchair is different. Take the time to learn the feel of this chair before you begin riding.
3. Be aware that you must develop your own methods for the safe use of this chair that are best suited to your level of function and ability.
4. Have someone help you practice bending, reaching and transferring until you learn how to do them safely.
5. **Never** try a new maneuver on your own unless you are sure it is safe.
6. Get to know the areas where you plan to use your chair. Look for hazards and learn how to avoid them.

B. NOTICE TO ATTENDANTS**⚠ WARNING**

Make sure you heed all warnings and follow all instructions in each section of this manual. (Be aware that warnings that apply to the rider also apply to you).

Notes:

1. You need to work with the rider, and the rider's doctor, nurse or therapist, to develop safe methods best suited to your abilities and those of the rider.
2. To manually push the chair you must release the motor locks.
 - Make sure you have full control over the chair when you release the motor locks. When you do so the chair will not have brakes.
3. Propel this chair by the push handles only. They provide secure points for you to hold the rear of the chair to prevent a fall or tip-over.
 - Check to make sure push handle grips will not rotate or slip off.

Helping The Rider Overcome An Obstacle:

1. To prevent injury to your back, use good posture and proper body mechanics. When you lift or support the rider or tilt the chair, bend your knees slightly and keep your back as upright and straight as you can.
2. Before each maneuver, tell the rider what you plan to do, and explain what you expect the rider to do. This will put the rider at ease and reduce the risk of an accident.
3. Go straight up and straight down a curb or stair. If you turn, or climb or descend at an angle, a fall or tip-over is likely.
4. Remind the rider to lean back when you tilt the chair backward.
5. Lower the chair slowly. Do not let the chair drop to the pavement or ground. Doing so may damage the chair or injure the rider.

C. WEIGHT LIMIT**⚠ WARNING**

1. Never exceed the following weight capacities:
S-636 SC = 400 lbs; S-636 MPC = 300 lbs; S-646 = 300 lbs.
The weight capacity of your S-636/S-646 is identified by a label located on the inside cover of the battery compartment door.
2. Never use this chair for weight training if the total weight (rider plus weights lifted) exceeds the indicated weight capacity of the wheelchair.
3. Exceeding the weight limit is likely to damage the seat, frame or fasteners and may cause severe injury to you or others from chair failure.
4. Exceeding the weight limit will void the warranty.

D. CONTROLLER SETTINGS**⚠ WARNING**

Be aware that you may need to adjust the controller settings of your chair to reduce the risk of a collision, fall or tip-over.

1. Check and adjust the settings every six to twelve months (or more often, if needed).
2. Consult your supplier to adjust the control settings immediately if you notice any change in your ability to:
 - Control the joystick.
 - Hold your torso erect.
 - Avoid running into objects.

E. EMI**⚠ WARNING**

Read Section V to learn about EMI. To reduce the risk of unintended brake release or chair movement:

1. Never turn on or use a hand-held transceiver while power to your chair is on.
Use extra care if you believe that such a device may be in use near your chair.
2. Be aware of nearby radio or TV stations, and avoid coming close to them.
3. If unintended movement or brake release occurs, turn your chair off as soon as it is safe.

F. SAFETY CHECK-LIST**⚠ WARNING**

Before each use of this chair:

1. Make sure the chair operates smoothly. Check for noise, vibration, or a change in ease of use. (They may indicate low tire pressure, loose fasteners, or damage to your chair).
 - If you detect a problem, make sure to repair or adjust the chair. Deferring repair or adjustment could increase the risk for injury. Your supplier can help you find and correct the problem.
2. Make sure batteries are charged. Green lights on charge indicator will light up when charge is full. Yellow lights indicate battery charge level is getting low. Red lights indicate batteries are in immediate need of charging.

G. CHANGES & ADJUSTMENTS

⚠ WARNING

Never use non-Quickie parts or make a changes to your chair unless authorized by Sunrise. (Doing so will void the Warranty, and may create a safety hazard).

1. If you modify or adjust this chair it may increase the risk of a fall or tip-over.
2. Modifications unauthorized by Sunrise constitutes remanufacturing of the wheelchair. This voids the warranty. The rider then assumes all future liability for the wheelchair.

H. WHEN SEATED IN A PARKED WHEELCHAIR

⚠ WARNING

1. Always **turn off** all power to your chair when you are parked, even for a moment. This will prevent:
 - Accidental movement from contact with the joystick by you or others.
 - Unintended brake release or movement from EMI sources. (See Section V)
2. Make sure that persons who help you (for example, store clerks) are aware of the joystick and do not touch it. If they do, your chair may move suddenly when you do not expect it.

I. ENVIRONMENTAL CONDITIONS

⚠ WARNING

Your chair is not designed for use in a heavy rain storm, or in snowy or icy conditions.

1. Contact with water or excessive moisture can cause an electrical malfunction. The frame, motors and other chair parts are not water-tight and may rust or corrode from the inside. To avoid a chair failure:
 - Minimize exposure of your chair to a rain storm or very wet conditions.
 - Never take your chair into a shower, tub, pool or sauna.
 - Do not use your chair in fresh or salt water (such as at the edge of a stream, lake, or ocean).
 - Make sure battery cover is secure.
 - Replace joystick boot if it becomes torn or cracked.
 - Make sure all electrical connections are secure.
 - Dry the chair as soon as you can if it gets wet, or if you use water to clean it.
2. Proceed slowly and use extra care if you must operate your chair on a wet or slick surface.
 - Do so only if you are sure it is safe.
 - Stop if one or both main wheels lose traction. If this occurs, you may lose control of your chair or fall.
 - Never operate your chair on a slope or ramp if there is snow, ice, water or oil film present.
 - When in doubt, have someone help you.
3. When not in use, keep your chair in a clean, dry place.

⚠ WARNING

Extra caution should be used when employing the disc switch or the proximity head array as control devices. These two devices are susceptible to malfunction when wet.

J. TERRAIN

⚠ WARNING

1. This chair is designed for use on firm, even surfaces such as concrete, asphalt and indoor flooring.
2. Do not operate your chair in sand, loose soil or over rough terrain. Doing so may damage wheels, bearings, axles or motors, or loosen fasteners.

K. STREET USE

⚠ WARNING

In most states, power chairs are not legal for use on public roads. Be alert to the danger of motor vehicles on roads or in parking lots.

1. At night, or when it is hard to see, use reflective tape on your chair and clothing.
2. It may be hard for drivers to see you. Make eye contact with drivers before you proceed. When in doubt, yield until you are sure it is safe.

L. MOTOR VEHICLE SAFETY

⚠ WARNING

To date, the U.S. Department of Transportation has not approved any tie down system for transporting a wheelchair in a motor vehicle.

1. Never sit in this chair while in a moving vehicle. In an accident or sudden stop you may be thrown from the chair.
 - Wheelchair belts are designed to position the rider only and will not protect you in an accident; further injury may result from the belts.
2. Always move to an approved vehicle seat. You must be secured with proper motor vehicle restraints.
3. Never transport this chair in the front seat of a vehicle. It may shift and interfere with the driver.
4. Always secure this chair so that it cannot roll or shift.

M. CENTER OF BALANCE

⚠ WARNING

The point where this chair will tip forward, back, or to the side depends on its center of balance and stability.

The Center Of Balance Is Affected By:

1. The seat height and seat angle.
2. A change in your body position, posture or weight distribution.
3. Using this chair on a ramp or slope.
4. The use of a back pack or other options, and the amount of added weight.

To Reduce The Risk Of A Fall Or Tip-Over:

1. Consult your supplier for information on modifications authorized by Sunrise before you modify or adjust this chair.

NOTE— You may need to make additional changes to correct the center of balance.

2. Use extreme care until you know the balance points of this chair and how to avoid a fall or tip-over.

N. TRANSFERS

WARNING

It is dangerous to transfer on your own. It requires good balance and agility. Be aware that there is a point during every transfer when the wheelchair seat is not below you.

To avoid a fall:

1. Always turn off power before you transfer to or from your chair. If you fail to do so you may touch the joystick and cause your chair to move when you do not expect it.
2. Make sure motor locks are engaged. This keeps the chair from moving when you transfer.
3. Work with your health care professional to learn safe methods.
 - Learn how to position your body and how to support yourself during a transfer.
 - Have someone help you until you are sure you can do a safe transfer on your own.
4. Move your chair as close as you can to the seat you are transferring to. If possible, use a transfer board.
5. Rotate the front casters until they are as far forward as possible.
6. Be careful of the footrests. If you can, remove or swing them out of the way.
 - Never stand on footrests when you transfer. Doing so may damage them or cause your chair to tip.
 - Make sure your feet do not “hang up” or get caught in the space between the footrests.
7. Make sure armrests do not interfere.
8. Transfer as far back onto the seat surface as you can. This will reduce the risk that you will miss the seat or fall.

O. REACHING OR LEANING

WARNING

Reaching or leaning affects the center of balance of your chair. If done improperly, a fall or tip-over is likely. When in doubt, ask for help or use a device to extend your reach.

To Reduce the Risk of injury and/or Damage to the Chair:

1. Never reach or lean if you must shift your weight sideways or rise up off the seat.
2. Never reach or lean if you must move forward in your seat to do so. Always keep your buttocks in contact with the backrest.
3. Never reach with both hands (you may not be able to catch yourself to prevent a fall if you lose your balance).
4. Never try to pick up an object from the floor by reaching down between your knees.
5. Never put pressure on the footrests while reaching. This may cause the chair to tip if you lean too far.
6. Never reach or lean over the top of the seat back. This may damage the backrest and cause you to fall.

If You Must Reach Or Lean; Do So at Your Own Risk.

Remember to:

1. Move your chair as close as you can to the object you wish to reach.
2. Rotate the front casters until they are as far forward as possible. This makes the chair more stable.

NOTE– To do this: Move your chair past the object you want to reach, then back up alongside it. Backing up will rotate the casters forward.

3. Turn off all power to your chair. If you fail to do so, you may

touch the joystick and cause your chair to move when you do not expect it.

4. Firmly grasp a rear wheel or an armrest with one hand. This will help to prevent a fall if the chair tips.

P. DRESSING OR CHANGING CLOTHES

WARNING

Be aware that your weight will shift if you dress or change clothes while seated in this chair. To make the chair more stable, rotate the front casters until they are forward.

Q. OBSTACLES

WARNING

Obstacles you may have to overcome in daily use include door thresholds, lifts, ramps and hazards such as potholes and broken pavement. These can damage your chair and may cause a fall, tip-over or loss of control.

1. Be aware that thresholds are very dangerous. (Even a small change in height may stop a caster wheel and cause your chair to tip). You may need to:
 - Remove or cover threshold strips between rooms.
 - Install a ramp at entry or exit doors.
2. Keep your eyes moving when you ride; scan the area well ahead of your chair.
3. Make sure the floor areas where you use this chair are level and free of obstacles.
4. To help correct your center of balance:
 - Lean your upper body **forward** slightly as you go **up** over an obstacle.
 - Press your upper body **backward** as you go **down** from a higher to a lower level.

R. DRIVING IN REVERSE

WARNING

Use extra care when you drive your chair in reverse. You may lose control or fall if one of the rear wheels hits an object.

1. Operate your chair slowly and at an even speed.
2. Stop often and check to make sure your path is clear of obstacles.

S. RAMPS, SLOPES & SIDEHILLS

WARNING

The center of balance of your chair changes when you are on a slope.

NOTE– “Slope” includes a ramp or side hill. Your chair is less stable when it is at an angle. Never use this chair on a slope unless you are sure it is safe. When in doubt, have someone help you.

Beware Of:

1. Steep slopes. Do Not use this chair on a slope steeper than 10°.
2. Wet or slippery surfaces (such as when ice, snow, water or oil film is present). A loss of traction may cause a fall or tip-over.
3. A change in grade on a slope (or a lip, bump or depression). These may cause a fall or tip-over.
4. A drop-off at the bottom of a slope. (A drop-off of as small as 3/4 inch can stop a front caster and cause the chair to tip forward).

T. TO REDUCE THE RISK OF A FALL, TIP-OVER OR LOSS OF CONTROL:

⚠ WARNING

1. Never use your chair on a slope unless you are sure you can do so without losing traction.
2. Always go as straight up and as straight down as you can.
 - Do not “cut the corner” on a slope or ramp.
 - Do not turn or change direction on a slope.
3. Always stay in the center of the ramp. Make sure ramp is wide enough that you are not at risk that a wheel may roll off the side.
4. Lean or press your body uphill. This will help adjust for a change in the center of balance caused by the slope. (Fig. 1)
5. Keep your chair moving at a slow, steady speed. Keep control over the chair at all times.
 - On a descent, do not let your chair accelerate beyond its normal speed.
 - If the chair picks up speed, center the joystick to slow down or stop.

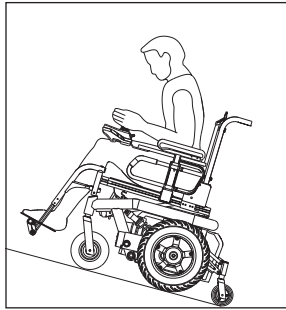


Figure 1

- NOTE–** The solid state controller of your chair has a logic system that will help control your speed when driving on a slope or uphill.
- If you stop, re-start slowly.
6. Never use rear wheel locks to try to slow or stop your chair. This is likely to cause the chair to veer out of control.

U. RAMPS AT HOME & WORK

⚠ WARNING

Make sure ramps meet all Building Codes for your area.

For your safety, have a licensed contractor build or remodel ramp to meet all standards.

NOTE– The proper design will vary, depending on such things as: the length and height of the ramp; the need for an intermediate platform; landing size; doors, and the direction of swing, and; whether the ramp includes a turn or angle.

At A Minimum:

1. Open sides of ramp must have side rails to prevent your chair from going over the edge.
2. Slope must not be steeper than one inch in height for every one foot of slope length.
3. Ramp surface must be even, and have a non-skid surface.
4. You may need to add a section at the top or bottom to avoid a lip or drop-off.
5. Ramp must be sturdy. Add bracing if needed, so ramp does not “bow” when you ride on it.

V. WHEELCHAIR LIFTS

⚠ WARNING

Wheelchair lifts are used in vans, buses, and buildings to help you move from one level to another.

1. Always turn **off** all power to your chair when you are on a lift. If you fail to do so, you may touch the joystick by accident and cause your chair to drive off the platform. (Be aware that a “roll-stop” at the end of the platform may not prevent this).
2. Make sure there is not a lip or drop-off at the top or bottom of the platform. These may cause a fall or tip-over. When in doubt, have someone help you.
3. Always position the rider securely in the chair to help prevent falls while on a lift.
4. Avoid moving forward if a wheel is “hung up” on the lip of the ramp. Backup, reposition the caster for a more direct approach. And slowly try again.

W. CURBS & SINGLE STEPS

⚠ WARNING

1. Your chair is not designed to drive up or down a curb or step more than two (2) inches high. Doing so may:
 - Result in a fall or tip-over.
 - Damage the frame, wheels, axles or other chair parts, or loosen fasteners.
2. To prevent a fall or tip-over, use wheelchair access ramps or have someone help you.
3. If you must climb or descend a curb or step alone do so at your own risk and use extreme care.
 - Go as straight up or straight down as you can. **Never** turn or climb or descend at an angle as a fall or tip-over is likely.
 - Proceed slowly, at a steady speed.
4. Make sure that persons who assist you review the “Tips For Attendants” and heed all warnings.

X. STAIRS

⚠ WARNING

Never use this chair to go up or down stairs, even with an attendant. Doing so is likely to cause a fall or tip-over.

Y. ESCALATORS

⚠ WARNING

Never take this chair on an escalator, even with an attendant. Doing so is likely to cause a fall or tip-over.

⚠ WARNING

Note: If you use parts or make changes not authorized by Sunrise it may create a safety hazard and will void the Warranty.

A. ANTI-TIP LEVERS**⚠ WARNING**

Never remove or alter anti-tip levers. They help keep your chair from tipping over backward in normal use. Make sure rubber rollers are in good condition.

B. ARMRESTS**⚠ WARNING**

Armrests detach and will not bear the weight of this chair.

1. **Never** lift this chair by its armrests. They may come loose or break.
2. Lift this chair only by non-detachable parts of the main frame.

C. BATTERIES**⚠ WARNING**

1. Only **deep cycled sealed case** construction batteries should be used in this device.
2. To prevent an acid spill, always keep batteries **upright** (wet cell batteries only).
3. **Never** smoke or hold an open flame near batteries. They are a known explosion hazard.
4. Always wear rubber gloves and safety glasses when you handle batteries.
5. Read all of **section XI Batteries** before attempting to change or charge batteries.

D. CUSHIONS & SLING SEATS**⚠ WARNING**

1. Quickie sling seats, standard foam cushions, and other body supports, are not designed for the relief of pressure.
2. If you suffer from pressure sores, or if you are at risk that they will occur, you may need a special seat system or a device to control your posture.
 - Consult your doctor, nurse or therapist to find out if you need such a device for your well-being.

E. FASTENERS**⚠ WARNING**

Many of the screws, bolts and nuts on this chair are special high-strength fasteners. Use of improper fasteners may cause your chair to fail.

1. **Only** use fasteners provided by Sunrise.
2. If fasteners become loose, tighten them as soon as you can.
3. Over- or under-tightened fasteners may fail or cause damage to chair parts.
 - See **Section IX, Set-Up, Adjustment, & Use**, for proper torque settings.

F. FOOTRESTS**⚠ WARNING**

1. At the lowest point, footrests should be **at least 2 1/2 inches** off the ground. If set too LOW, they may “hang up” on obstacles you can expect to find in normal use. This may cause the chair to stop suddenly and tip forward.
2. To avoid a trip or fall when you transfer:
 - Make sure your feet do not “hang up” or get caught in the space between the footrests.
 - Avoid putting weight on the footrests, as the chair may tip forward.
 - Remove or swing the footrests out of the way, if possible.
3. **Never** lift this chair by the footrests. Footrests detach and will not bear the weight of this chair. Lift this chair only by non-detachable parts of the main frame.

G. MOTOR LOCKS**⚠ WARNING**

1. Do not engage or disengage motor locks **unless** power to the chair is **off**.
2. Be aware that the chair **will not have brakes** when motor locks are in the free-wheel position.
3. Make sure that the person pushing the chair has full control when motor locks are disengaged.

H. ON/OFF SWITCH**⚠ WARNING**

1. **Never** use the ON/OFF switch to stop the chair except in an emergency. This will result in an abrupt stop, and may cause you to fall.
2. To slow your chair to a stop, return the joystick to neutral.

I. PNEUMATIC TIRES**⚠ WARNING**

Proper inflation extends the life of your tires and makes your chair easier to use.

1. Do not use this chair if any of the tires are under- or over-inflated. Check weekly for proper inflation level, as listed on the tire sidewall.
2. Low pressure in a tire may cause the chair to veer to one side and result in a loss of control.
3. An over-inflated tire may burst.
4. **Never** use a gas station air pump to inflate a tire. Such pumps provide air at high volume, and could cause the tire to burst. To prevent tire damage:
 - Use a hand pump (or a low volume air pump) to inflate tires.
 - Use a tire gauge to check pressure.
5. Driving over sharp objects may cause damage to pneumatic tires and tubes.

**J. POSITIONING BELTS
(STANDARD OR OPTIONAL)****⚠ WARNING**

Use a positioning belt only to help support your posture. Improper use of such belts may cause severe injury or death.

1. Make sure you are not at risk to slide down in the wheelchair seat. If this occurs, you may suffer chest compression or suffocate due to pressure from the belt.
2. A pelvic wedge or a similar device can help keep you from sliding down in the seat. Consult your health care professional to find out if you need such a device.
3. The belt must be snug, but must not be so tight that it interferes with breathing. You should be able to slide your open hand, flat, between the belt and your stomach.
4. Make sure you can easily remove the belt in an emergency.
5. **Never** use a positioning belt:
 - In place of a motor vehicle seat belt. In an accident or sudden stop you may be thrown from the chair. A positioning belt will not prevent this, and further injury may result from the belt.
 - As a restraint. A restraint requires a doctor's order.
 - On a rider who is comatose or agitated.

K. PUSH HANDLES

WARNING

1. Push handles provide secure points for an attendant to propel and control the chair. This helps to prevent a fall or tip-over.
2. Check to make sure push handle grips will not rotate or slip off.

L. REAR WHEEL LOCKS (OPTIONAL)

WARNING

1. Rear wheel locks are **not** designed to slow or stop a moving wheelchair. **Never** apply them when your chair is moving. Doing so may cause you to veer out of control.
 - Use wheel locks **only** to keep the rear wheels from rolling when your chair is at a complete stop.
2. Low pressure in a rear tire may cause the wheel lock on that side to slip and may allow the wheel to turn when you do not expect it.

3. Make sure lock arms embed in tires at least 3/8 inch when locked. If you fail to do so, the locks may not work.

NOTE– If you request them, we will install rear wheel locks at Sunrise.

M. SEATING SYSTEMS

WARNING

1. Use of a seating system not approved by Sunrise may alter the center of balance of this chair. This may cause a fall or tip-over.
2. Never change the seating system of your chair unless you consult your supplier first.

N. UPHOLSTERY FABRIC

WARNING

1. Replace worn or torn fabric of seat sling and seat back as soon as you can. If you fail to do so, the seat may fail and cause you to fall. Worn fabrics may increase the potential for a fire hazard.
2. Sling fabric will deteriorate with age and use. Look for fraying, thin spots, or stretching of fabric at rivet holes. Replace fabric as required.
3. “Dropping down” into sling seat will weaken fabric and result in the need to inspect and replace sling on a more frequent basis.
4. Be aware that washing may reduce flame retardation of the fabric.

O. ASSIGNABLE CONTROLS

WARNING

It is possible to assign a function to an input control (buttons, jacks) of your wheelchair. If controls have been assigned to perform a dual or alternate function ensure you know what each control operates. Please contact your dealer or the Quickie Technical Service Department if you do not receive this information. Failure to do so may result in damage and/or injury.

VIII. TIPS FOR ATTENDANTS

WARNING

1. Persons who help a rider do one of the following tasks should review and heed the warnings “Notice to Attendants” and all warnings in this Manual for that task.
2. The “Tips” that follow are suggestions only. Be aware that you will need to learn safe methods best suited to the rider and to your abilities. Consult your health care professional for instructions.

A. TO CLIMB A CURB OR SINGLE STEP

WARNING

The following is one way to safely help a rider climb a curb or single step going forward:

1. Stay behind the chair.
2. Face the curb and tilt the chair up on the rear wheels so that the front casters clear the curb or step.
3. Move forward, placing the front casters on the upper level as soon as you are sure they are past the edge.
4. Continue forward until the rear wheels contact the face of the curb or step. Lift and roll the rear wheels to the upper level.

B. TO DESCEND A CURB OR SINGLE STEP

WARNING

The following is one way to safely help a rider descend a curb or single step going backward:

1. Stay at the rear of the chair.
2. Several feet before you reach the edge of the curb or step, turn the chair around and pull it backward.
3. Proceed carefully. Look over your shoulder and carefully step back until you are off the curb or stair and standing on the lower level.
4. Pull the chair toward you until the rear wheels reach the edge of the curb or step. Then allow the rear wheels to slowly roll down onto the lower level.
5. When the rear wheels are safely on the lower level, tilt the chair back to its balance point. This will lift the front casters off the curb or step.
6. Keep the chair in balance and take small steps backward. Be sure to look where you are going. Turn the chair around and gently lower front casters to the ground.

A. NOTES

1. Work Surface For Set-Up:

Use a flat surface, such as a table, to assemble, adjust and check your chair. This makes the steps easier and helps ensure a correct set-up.

2. Fasteners:

- Many of the screws and bolts on this chair are special high-strength fasteners and may have special coatings.
- Many nuts are of the Nylock type. They have a plastic insert to help prevent loosening.
- **Only** use screws, bolts and nuts provided by Sunrise.

WARNING

1. Use of improper fasteners may cause the chair to fail.
2. Over- or under-tightened fasteners may fail or cause damage to chair parts.
3. If bolts or screws become loose, tighten them as soon as you can. Loose bolts or screws can cause damage to other chair parts causing them to fail.

3. Washers & Spacers:

- Note the position of washers and spacers before disassembly.
- To avoid damage to the frame, replace all washers and spacers when you reassemble parts.

4. Torque Settings:

A torque setting is the optimal tightening for a particular fastener. Use a torque wrench that measures inch-pounds to secure screws, nuts and bolts on this chair.

NOTE– Unless otherwise noted, use a torque setting of 120 inch-pounds for all fasteners.

B. TOOLS YOU WILL NEED

1. Basic Tool Kit:

To set-up, adjust and maintain your chair you will need the following tools:

- 7/16" socket wrench
- 1/2" box and open-end wrench
- 3/4" box and socket wrench
- 5/32" Allen wrench
- 3/16" Allen wrench
- Phillips screwdriver #2
- Custom axle wrench (or a 1/2" open-end wrench)

You can obtain a multi-purpose tool kit from Sunrise, or buy the tools you need from a hardware store.

2. Torque Wrench:

If you plan to adjust and maintain this chair yourself, Sunrise recommends that you use a torque wrench.

NOTE– The wrench must measure inch-pounds. You can buy a torque wrench and proper sockets from a hardware store.

C. CHECK-OUT

Be sure this chair performs to your chosen operational settings. If it does not, turn the chair off immediately and reprogram with the Quickie DTT Programmer. If you do not own a Quickie DTT Programmer have your supplier reprogram your wheelchair as needed. Or, you can order a Quickie DTT Programming Pad for your own use, from your supplier.

NOTE– Repeat this procedure until the chair performs to your specifications

WARNING

When properly set-up, this chair will operate smoothly. Check to see that all components work properly. If you detect a problem, be sure to correct it before use.

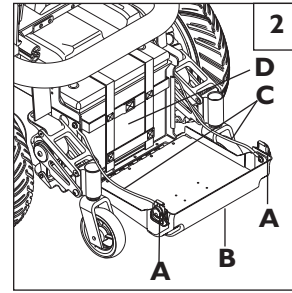
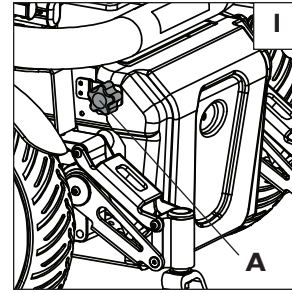
D. BATTERY REMOVAL 1 2

To remove batteries for transport or service:

1. Unscrew both the right and left battery box rear cover retaining fasteners (A).
2. Lower battery box rear cover (B) until the cover is fully extended and supported by the cables (C).
3. Disconnect the battery harness cables.
4. Slide out batteries (D).
5. Remove batteries (D).

⚠ WARNING

Batteries may weigh up to 55 lbs. Care must be taken to avoid injury when lifting.

**E. SWING-AWAY FOOTRESTS** 3 4**1. Installation**

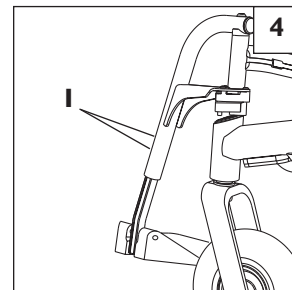
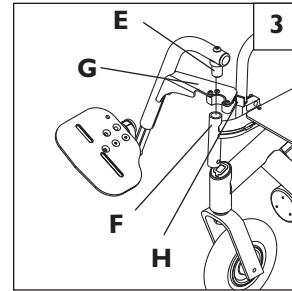
- a) Place swing-away pivot pin (E) into the locating hole (F) on top of the hanger mount with the footrest facing outward from frame.
- b) Rotate the footrest inward until latch plate locks (G) into place on locking bolt.

2. Removal

- a) To remove footrest, press quick-release lever (H).
- b) Rotate footrest outward and lift.

3. Height Adjustment

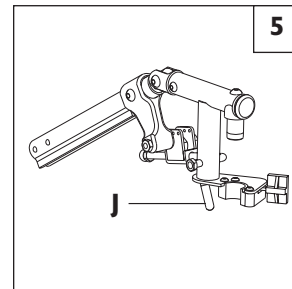
- a) Loosen both bolts (I) in the hanger frame tube.
- b) Reposition footrest height.
- c) Re-tighten both bolts (I).

**F. ELEVATING LEGREST (OPTIONAL)** 5**1. Installation**

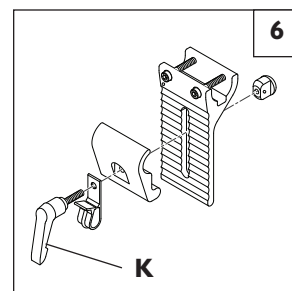
To install or remove Elevating Legrest (ELR) see instructions for Swing-away Footrest installation.

2. Adjustment

- a) To raise legrest, lift to desired position. Legrest will automatically lock in place.
- b) To lower legrest, while seated in chair, first lift slightly then press release lever (J) down and lower legrest to desired position.

**G. TO ADJUST THE HEIGHT OF THE REMOTE JOYSTICK** 6

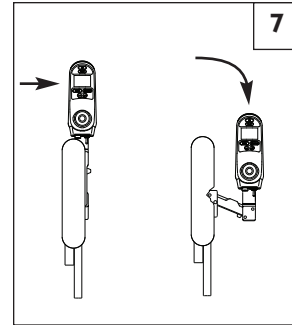
- a) Rotate handle (K) to loosen the joystick mount.
- b) Reposition joystick mount to the desired height and retighten the handle.



H. REMOTE JOYSTICK SWING-AWAY RETRACTABLE MOUNT (OPTIONAL) 7

The remote joystick is mounted with a mechanism which allows the control to be locked in a forward or retracted position using magnets.

- To retract joystick, push outward on side of joystick.
- Push joystick away from front of armrest until it locks into retracted position.
- To return to forward position push joystick forward until it locks into place.



I. DUAL-POST HEIGHT-ADJUSTABLE FLIP-BACK ARMRESTS 8 9

The dual-post flip-back armrest can be used as either a flip-back armrest or a removable armrest.

1. Installing Armrest

- Insert front and rear posts into armrest receivers.
- Engage levers (A and B) to secure armrest.

2. Set-up for Flip-back Operation

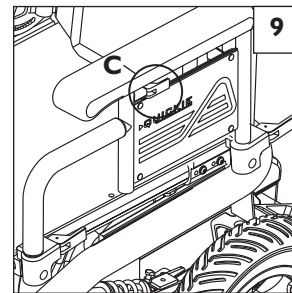
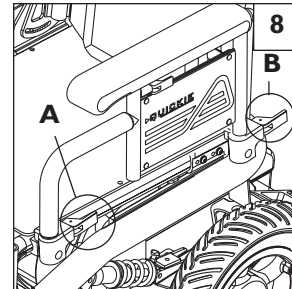
- Disengage lever (A) so front post is able to come free.
- Armrest now has the ability to be flipped back without removal.

3. Removal of Armrest

- Disengage both levers (A and B) so front and rear post are able to come free.
- Armrest can now be easily removed for transferring.

4. Height Adjustment (option)

- Release the upper securing lever (C).
- Set at desired height.
- Return securing lever to locked position.
- Move armrest up or down to allow armrest to snap into place.



J. HEIGHT-ADJUSTABLE ARMRESTS (OPTIONAL) 10

1. Installation

- Slide the outer armpost into the receiver mounted to the wheelchair frame.
- The armrest will automatically lock into place.

2. Height Adjustment

- Rotate release lever to stop.
- Slide armrest pad up or down to desired height.
- Return lever to locked position.
- Push arm pad until upper armpost locks firmly into place.

3. Removing Armrest

- Rotate release lever and remove the armrest.

4. Replacing Armrest

- Slide armrest back into receiver.
- Return release lever to locked position against armpost.

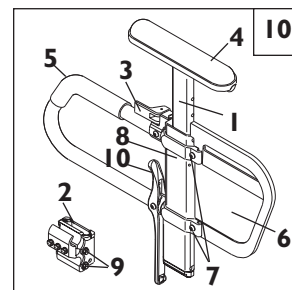
5. Adjusting Armrest Receiver Fit

To tighten or loosen the fit of the outer armpost in the receiver:

- Loosen the four bolts on the sides of the receiver.
- With the armrest in the receiver, squeeze the receiver to achieve the desired fit.
- Tighten the four bolts.

6. Adjusting Inner Armpost Fit

- Two set screws are installed in the outer armpost.
- Turn the set screws in or out until the desired fit is achieved.



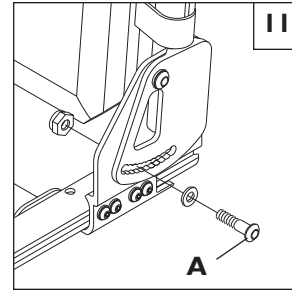
- Inner Arm Post
- Receiver
- Release Lever, Locked Position
- Armrest Pad
- Transfer Bar
- Side Panel
- Tension Adjustment Set Screw
- Outer Arm Post
- Receiver Adjustment Bolts
- Receiver Release Lever

K. BACKREST 11

A backrest angle-adjustment is standard on the Trax Seat Frame.

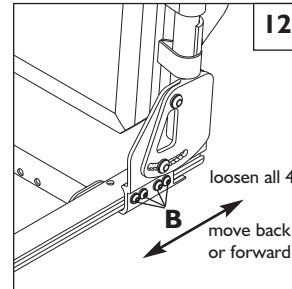
1. Adjustment on Trax Seat Frame

- Remove the securing bolt (A) on the sides of the backrest hinge plate.
- Set at desired angle. There are ten holes (in 4° increments) to choose from.
- Reinstall the front bolt and tighten both bolts securely.

**L. SEAT DEPTH** 12

The seat depth can be adjusted continuously along the seat rail.

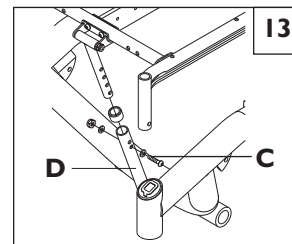
- To adjust, loosen the four bolts (B) from each side of the backrest pivot plate.
- Reposition the backrest to the desired position.
- Retighten bolts on each side of the backrest pivot plate.

**M. SEAT HEIGHT AND ANGLE ADJUSTMENT** 13 14

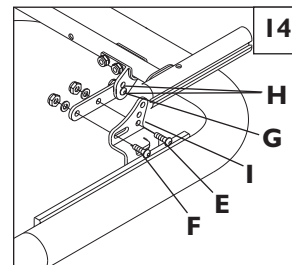
Adjusting the seat height can be done both at the front and the rear of the seat. Seat angle can also be varied through front and rear seat height adjustments.

1. Front Seat Height Adjustment 13

- Remove bolt (C) in the seat height strut (D). Adjust the upper and lower tube until the desired front seat height is achieved. Each upper hole is 1" apart. Each lower hole is 1/2" apart. This allows 1/2" seat height increments.
- Replace the bolt and secure the locknut.

**2. Rear Seat Height Adjustment** 14

- Remove bolt (E).
- Loosen bolt (F), but do not remove.
- Adjust seat height to match one of three positioning holes (I). Each hole is 1" apart.
- Refasten bolt (E) and retighten bolt (F).
- To achieve 1/2" increments adjust position bolt (G) to either hole (H) and refasten.

**N. WHEEL LOCKS** 15

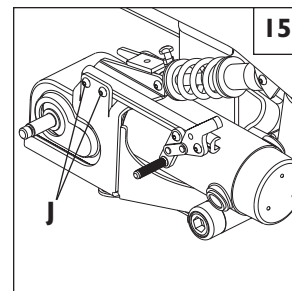
Wheel locks are installed by Sunrise when requested on the Quickie S-636/S-646.

1. Mounting

The wheel lock mounts to the motor mount. Use a torque setting of 100 in./lbs when adjusting wheel locks.

- Loosen bolts (J).
- Slide mounting bracket toward rear wheel until clamp embeds into tire to prevent wheel movement when in locked position.
- Tighten screws.

NOTE- Wheel lock adjustment will be done through the drive-wheel spokes.



O. SUSPENSION 16

NOTE– Equivalent adjustments should be done to both the right and left suspension element.

It is important to properly adjust the pre-load and damping to ensure proper comfort and control for the rider.

1. Pre-Load Adjustment

With the rider seated in the chair and with batteries installed, insure that the main horizontal member of the base frame is parallel to the ground. If it is not parallel, adjust spring collar (B) in either direction to adjust. If the rear of the base frame is lower than the front, adjust the spring collar clockwise when viewed from the rear of the chair. If the rear of the base frame is higher than the front, adjust the spring collar counter-clockwise when viewed from the rear of the chair.

⚠ WARNING

The spring pre-load ring should never be adjusted so that the shock spring is less than four inches long with the chair unoccupied and the batteries installed. Too much spring pre-load may cause the spring to fail.

⚠ WARNING

Never use a high-powered washer for cleaning the shock. Always use mild soap and a small brush.

2. Damping Adjustment

The suspension system used on the S-636/S-646 SE has the ability to adjust the rebound (damping) of the suspension. Rebound or damping is the rate at which the spring returns to its original position after experiencing a deflection.

- a) Adjustment of the rebound (damping) is done by turning the red knob (C) on the suspension. Turning the red knob clockwise slows the rate of return or decreases the rebound. Turning the red knob counterclockwise quickens the rate of return or increases the rebound.
- b) Too much rebound will feel like the system stiffens over a bumpy surface. Adjust the red knob a half turn counterclockwise and test for performance.
- c) Too little rebound will feel like the system is trying to buck the rider out of the seat. Turn the red knob a half turn clockwise and test for performance.

P. CHECK-OUT

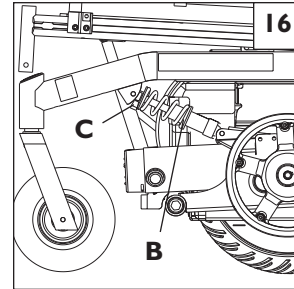
Once the wheelchair is assembled and adjusted, it should roll smoothly and easily. All accessories should also perform smoothly.

After the wheelchair has been set up be sure the chair performs to your specified operational settings (see section X. *Operating Guide*). If the chair does not perform to specifications, turn the wheelchair OFF immediately and reprogram operational specifications using the DTT Programming.

Repeat this procedure until the wheelchair performs to specifications before attempting active use of the wheelchair.

If you have any problems, follow these procedures:

1. **Review the set-up and check-out section and operating guide to make sure chair was properly prepared.**
2. **If your problem persists, contact your authorized supplier. If you still have a problem after contacting your authorized supplier, contact Sunrise customer service. See the introduction page for details on how to contact your authorized supplier or Sunrise customer service.**



OPERATING INSTRUCTIONS– POWER RECLINE

A. NOTES

Work Surface For Set-Up:

Use a flat surface, such as a table, to assemble, adjust and check your seating system. This makes the steps easier and helps ensure a correct set-up.

Fasteners:

- Many of the screws and bolts on this seating system are special high-strength (Grade 8) fasteners and may have special coatings.
 - Many nuts are of the Nylock type. They have a plastic insert to help prevent loosening.
 - Only use screws, bolts and nuts provided by Sunrise.
- a. Use of improper fasteners may cause the seating system to fail.
 - b. Over- or under-tightened fasteners may fail or cause damage to seating system parts.
 - c. If bolts or screws become loose, tighten them as soon as you can. Loose bolts or screws can cause damage to other seating system parts causing them to fail.
 - d. Washers & Spacers:
 - Note the position of washers and spacers before disassembly.
 - To avoid damage to the frame, replace all washers and spacers when you reassemble parts.
 - e. Torque Settings:
 - A torque setting is the optimal tightening for a particular fastener. Use a torque wrench that measures inch-pounds to secure screws, nuts and bolts on this seating system.
 - **NOTE**– Unless otherwise noted, use a torque setting of 120 inch-pounds for all fasteners.
 - f. Persons who help a rider do one of the following tasks should review and heed the warnings “Notice to Attendants” and all warnings in this Manual for that task.
 - g. The “Tips” that follow are suggestions only. Be aware that you will need to learn safe methods best suited to the rider and to your abilities. Consult your health care professional for instructions.

B. TOOLS YOU WILL NEED

Basic Tool Kit:

To set-up, adjust and maintain your seating system you will need the following tools:

- 7/16" socket wrench
- 1/2" box and open-end wrench
- 3/4" box and socket wrench
- 5/32" hex wrench
- 3/16" hex wrench
- 3mm hex wrench
- Phillips screwdriver #2
- Custom axle wrench (or a 1/2" open-end wrench)

You can obtain a multi-purpose tool kit from Sunrise, or buy the tools you need from a hardware store.

Torque Wrench:

If you plan to adjust and maintain this seating system yourself, Sunrise recommends that you use a torque wrench.

NOTE– The wrench must measure inch-pounds. You can buy a torque wrench and proper sockets from a hardware store.

C. LATERAL THORACIC SUPPORTS

- To adjust the height of the lateral support mount, loosen the adjustment screw until the receiver slides freely on the back posts. Tighten the adjustment screw when the proper height is determined.
- Assess and fit the lateral thoracic supports. Assess client for proper positioning of the lateral thoracic supports. Each support is independent and may be adjusted for your client's clinical need.

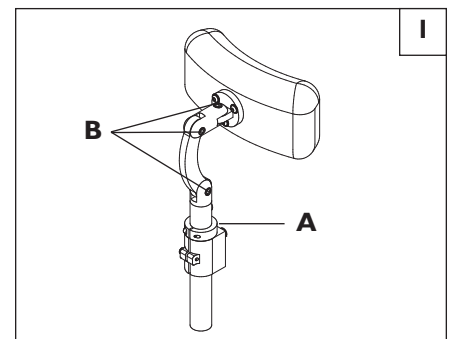
⚠ WARNING

A minimum of 1" (2.5cm) of clearance should exist between the top of the lateral support and the user's armpit.

- To adjust the height, angle, or width of the lateral thoracic support pads, loosen the top bolts and slide to correct width. Tighten bolt to bolt plate. If more adjustment is necessary, loosen the internally mounted bolts, and slide in the track to the desired height and width. The angle is obtained by tilting the bracket as needed. Tighten the bolts.
- To adjust the depth of the lateral thoracic pads, turn the middle bracket so that the slots are on side. Adjust to desired depth. Re-tighten the bolts.

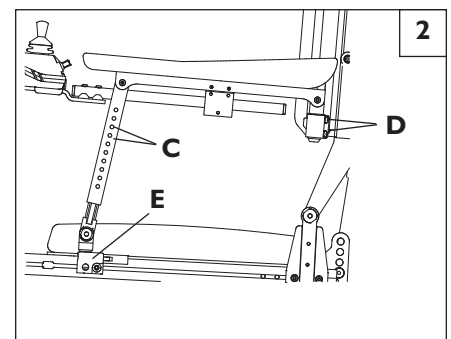
D. HEADREST 1

Headrest adjusts up and down by setting a holding ring (A) in place and tightening. Insure that the aligning pin drops into the hole in the top of the headrest bracket to insure specific positioning. The headrest can then be moved up from that point, but cannot be rotated or moved down. The top of the Headrest can also be positioned forward and back and has set screws (B) for holding.



E. ARMREST HEIGHT 2

Armrest height can be adjusted up and down in the front and rear. The front adjusts using a 5/32 hex wrench to remove and replace the two 1/4 -28 button head screws (C). The rear adjusts using a 5/32 hex wrench to loosen and reposition the two 1/4-28 flat head screws (D) in the dovetail track.



F. ARMREST ANGLE 2

Armrest angle in the full reclined position is affected by the fore and aft mounting of the front armrest receiver (E). A position biased forward of center will maintain hands more level with elbows. A position biased rearward will elevate hands relative to elbows.

G. ARM TROUGHS (optional)

The Arm troughs can be adjusted forward and back using a 3mm hex wrench to loosen and reposition the button head screws on the underside of the trough.

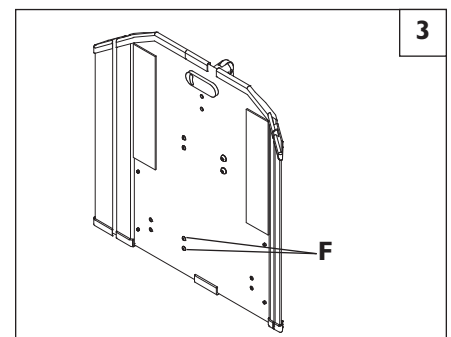
H. JAY® SOLID BACKREST- HEIGHT ADJUSTMENT 3

- Remove backrest foam from shell.
- Adjust positions of the two 1/4-20 button head screws (F) using a 5/32 hex and 7/16 wrench.

NOTE- For easy access to rear fasteners, operate recline down until nuts on rear of back are accessible.

I. FOAM BACK

Secure the foam and cover to the shell. To secure the back foam and cover on the Solid Seat Back, slide the top edge of the cover over the top lip of the shell. Press the back in place against the shell.



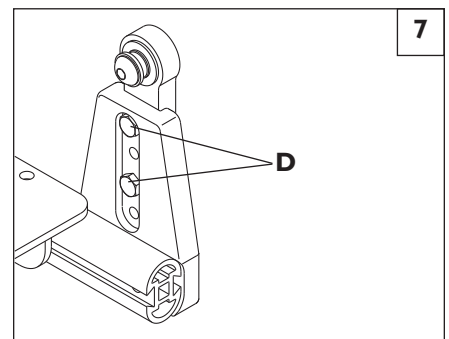
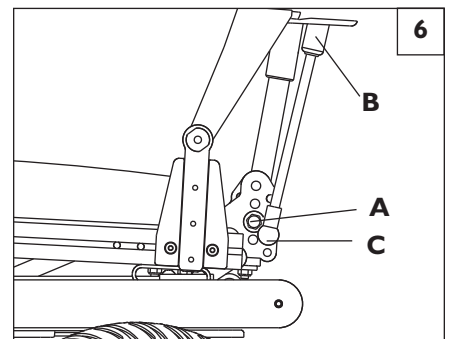
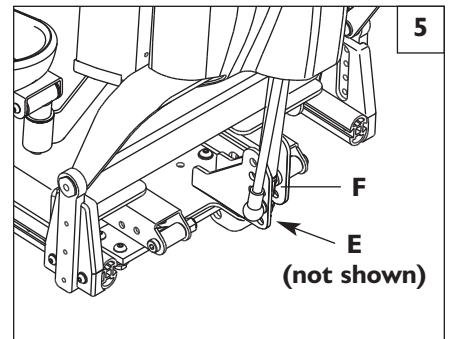
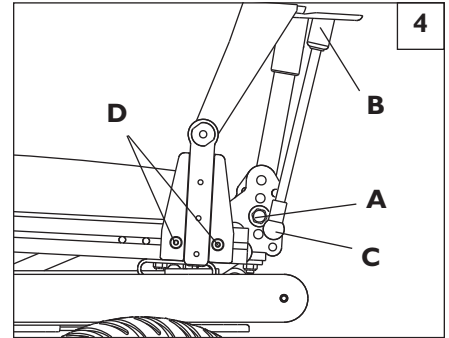
J. SEAT DEPTH 4 5

The seat depth can be adjusted in one-inch increments along the seat rail. Use holes in rail, viewed through side channel as a guide.

NOTE— If you intend to adjust the seat depth *and* the backrest pivot point (see section K) you will save time by reviewing both sets of instructions and logically combining the steps.

To adjust seat depth:

1. Remove armrests from chair.
2. Note the specific hole positions of the actuator extension tube and the gas spring ball socket so they can be duplicated later.
3. Remove 3/8 hex bolts (A) holding actuator extension tube into rear support plate.
IMPORTANT NOTE— there will be significant forward pressure from the back support suspension gas spring (B). Allow this pressure to extend the gas spring to its maximum, moving the backrest forward. Once extended fully, remove the 5/16 nut securing the ball socket (C) to the lower end of the gas spring.
4. Allow back to rotate forward and rest on seat.
5. Loosen the two 1/4-28 screws (D) on the outside of both backrest pivot plates.
6. Reposition the backrest to the desired location, insuring that the rear 1/4-28 screw is properly aligned with a guide hole in the seat rail. **NOTE**— Only the rear screw aligns with a guide hole. Retighten screws on both backrest pivot plates.
7. When the backrest is moved horizontally, the rear actuator support plate must be moved as well. Remove the two 5/16 bolts (E) that secure the plate and reposition in a 1:1 ratio as it relates the movement of the backrest pivot plates. Reverse orientation of the rear actuator support plate is necessary for 14" and 15" seat depths on the standard length frame and for 18" and 19" seat depths on the long frame.
8. Rotate backrest rearward to align the gas spring with its mount, replacing the ball socket in its previous position and securing with the 5/16 nut.
9. Using rearward pressure against the backrest, rotate the backrest to align the actuator extension tube with its previous mounting position and reinstall 3/8 hex bolts. **NOTE**— this step may require assistance to complete.

**K. BACKREST PIVOT POINT** 6 7

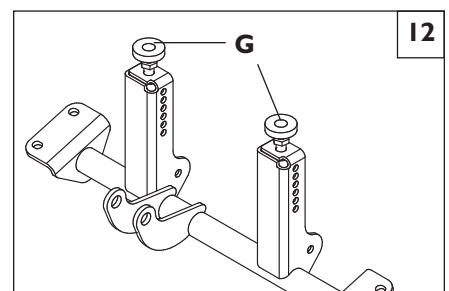
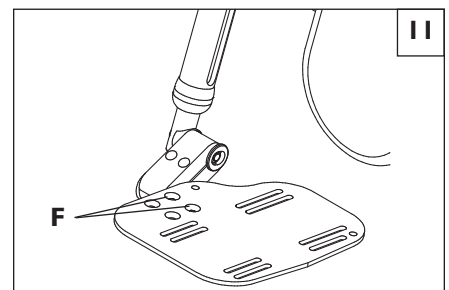
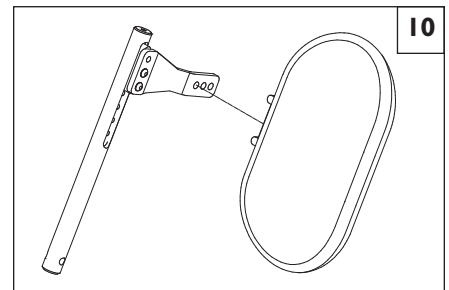
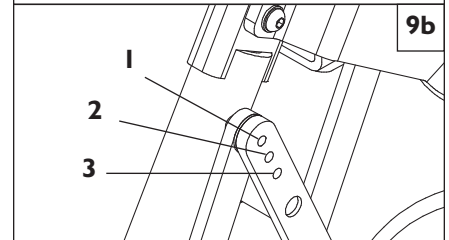
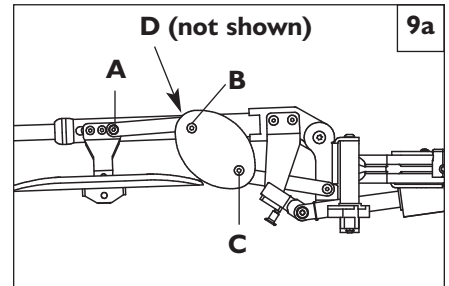
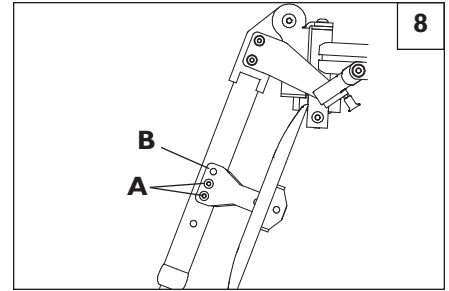
The backrest pivot point can be adjusted vertically for varying cushion thickness and body types. There are three positions available in 3/4" increments.

To adjust:

1. Remove armrests from chair.
2. Note specifically the current and intended bolt positions of the actuator and gas spring fasteners. Your goal is to reposition both fasteners in a 1:1 ratio with the vertical movement of the pivot point.
3. Remove 3/8 hex bolts (A) holding actuator extension tube into rear support plate.
IMPORTANT NOTE— there will be significant forward pressure from the back support suspension gas spring (B). Allow this pressure to extend the gas spring to its maximum, moving the backrest forward. Once extended fully, remove the 5/16 nut securing the ball socket (C) to the lower end of the gas spring.
4. Allow back to rotate forward and rest on seat.
5. Using a 7/16 socket, remove hex bolts (D) and reposition assembly up or down for desired affect.
6. Rotate backrest rearward to align the gas spring with its mount, replacing the ball socket in the appropriate position (review step 2) and securing with the 5/16 nut.
7. Using rearward pressure against the backrest, rotate the backrest to align the actuator extension tube with its corresponding mounting position and reinstall 3/8 hex bolts.
NOTE— this step may require assistance to complete.

L. LEGREST 8 9 10 11

1. Legrest Length is adjusted in 5/8" increments 8.
Remove Legrest from chair. Using a 5/32 hex wrench, remove the lower two 1/4-28 screws (A). Loosen, but do not remove the upper 1/4 -20 screw (B) until the extension tube will slide within hanger. Reposition and reinstall screws.
2. Legrest Articulation (if so equipped) 9a 9b
The amount of articulation in the legrest may be adjusted from 1.5 to 2.5 inches.
To adjust:
 - a. Remove knee plate padding.
 - b. Remove screw A.
 - c. Remove top 1/4-20 screw (B) as shown.
 - d. Loosen screw C so knee plate rotates.
 - e. Rotate linkage so forward screw (D) is accessible beneath legrest.
 - f. Remove screw D and reposition linkage.
 - g. Note linkage extension positions: 1=2.5"; 2=2"; 3=1.5". 9a
3. Calf Pad 10
Calf pad can be moved forward and rearward by repositioning it in different mounting holes.
4. Footplate 11
Footplate may be angled or repositioned by loosening the 1/4-28 flathead screws (F) located on the top of the footplate.

**M. SEAT FRAME TILT STOP PADS** 12

The position of the tilt stop pads (G) are adjustable vertically by loosening the jam nuts and rotating the stop pads counter clockwise to raise (or clockwise to lower). The stop pads should be positioned to support the seat frame at its lowest front position when the user prefers a pre-tilted driving position. Once position is established, use jam nut to hold position of stop pads on tower.

N. CHECK-OUT

Once the seating system is assembled and adjusted, it should operate smoothly and easily. All accessories should also perform smoothly.

Repeat this procedure until the seating system performs to specifications before attempting active use of the seating system.

If you have any problems, follow these procedures:

1. Review the set-up, check-out, operating and troubleshooting sections to make sure seating system was properly prepared.
2. If your problem persists, contact your authorized supplier. If you still have a problem after contacting your authorized supplier, contact Sunrise customer service. See the introduction page for details on how to contact your authorized supplier or Sunrise customer service.

OPERATING INSTRUCTIONS—S-636/S-646 SE

A. PERFORMANCE CONTROL SETTINGS

1. It is vital to match performance control settings to your level of function and ability.
2. Consult your health care professional and your supplier to select the best control settings for you.
3. Check and adjust the settings every six to twelve months (or more often, if needed).
4. Adjust the control settings **immediately** if you notice any change in your ability to:
 - Control the joystick.
 - Hold your torso erect.
 - Avoid running into objects.
5. Control Settings are adjusted through the use of the DTT Programmer. See your supplier if you do not own a DTT Programmer.

B. ON BOARD PROGRAMMER OR DTT (DIAGNOSTIC TEST TOOL) OR RNET PC PROGRAMMER (Optional)**⚠ WARNING**

Program settings beyond the ability of the user can result in serious injury. Consult your health care advisor before you alter settings.

The On-board Programmer or RNET PC Programmer lets you adjust the control settings of the S-636/S-646. Listed below are a few of the many settings that can be adjust via the On-board Programmer or RNET PC Programmer. (See RNET OBP Owners Manual for full programmable parameters.)

- acceleration rate
- deceleration rate
- turn acceleration
- turn deceleration
- forward speed (max & min)
- reverse speed (max & min)
- turn speed (max & min)
- steer correct

Programming the Chair:

- a. Access via OBP (On-board Programmer), DTT (Diagnostic Test Tool), or the PC Programmer. Each of these require inline connection to the communication cable.
- b. Program as needed.
- c. Remove Dongle or recycle power.

NOTE— Review the RNET OBP Owner's Manual for more details on how to program your chair.

C. THERMAL ROLL-BACK

Your chair has a thermal roll-back circuit. This protects the controller from damage due to overheating. In extreme conditions (such as repetitive hill climbing) the circuit will decrease the power to your motors. This allows the chair to operate at a reduced speed. When the controller cools, the chair will return to normal speed.

D. JOYSTICK STATIONARY

Your chair has an available programming feature called “Joystick Stationary” which can be set by your dealer. This feature senses when the joystick is displaced from neutral, yet left in a steady position for a predetermined period of time. The controller will automatically turn off if the set time has been reached. This feature is designed to protect the user, batteries and electronics if the joystick is inadvertently displaced. There are two parameters that can be adjusted:

1. Joystick Stationary Time:

This is the time the joystick has to remain within the stationary range before the unit will come to a stop. It can be programmed from 0 to 60 minutes in steps of one minute. Select 0 to disable the function. Default setting is 0 (Disabled).

2. Joystick Stationary Range:

This determines the size of a region around the present joystick position. If the joystick remains within this region for the stationary time the controller will stop. The range can be programmed from 1 to 50, in steps of 1. Default setting is 1.

WARNING

Before turning on or adjusting these parameters, carefully read and understand the implications for use of these features, Joystick Stationary Time and Joystick Stationary Range. When the “Joystick Stationary Time” is reached within the “Joystick Stationary Range”, the drive motors on the chair will shut off. As an example, this will happen while driving in a straight line for extended periods of time with no joystick movement. Once the drive motors turn off, the user will need to turn the chair off and back on to drive.

E. VR2 JOYSTICK ASSEMBLY 1 2

The standard VR2 joystick controls the chair’s performance. It consists of the following parts:

1. Speed Control or Drive Mode Selection Buttons (A and B)

To decrease the speed level depress button A. Or, when 1- 5 Drive modes are programmed, depress button A to activate lower drive mode(s).

To increase speed level, depress button B. Or, when 1- 5 Drive modes are programmed, depress button B to activate higher drive mode(s).

Speed level active, or Drive Mode selected, is indicated on display (C) by a series of five lights. One light indicates slowest level/mode currently active, while five lights indicates highest level/mode currently active.

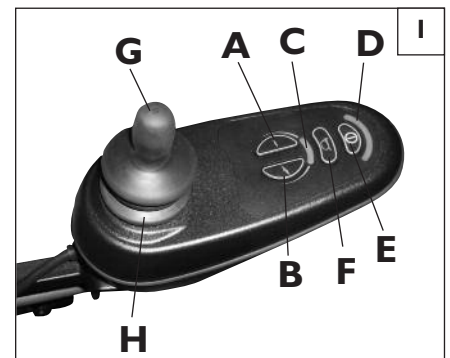
2. Battery Charge Indicator (D)

- Green lights indicate that batteries are fully charged.
- Yellow lights indicate that batteries need recharging.
- When the lights stay in the red band, the batteries must be recharged.

3. On/Off Button (E)

Turning the chair on or off is accomplished by depressing button E.

4. Horn (F)



VR2 Joystick



VR2 Joystick with Actuator Control

5. Joystick (G)

The joystick controls the direction and speed of your chair. Turn the chair on and move the joystick in the direction you want to go.

- Moving the joystick from the neutral (center) position disengages the motor brakes, allowing the chair to move.
- The chair will move faster the more you move the joystick away from neutral.

NOTE- If your speed becomes hard to manage, release the Joystick and the chair will come to a complete stop.

- When you release the joystick it will return to neutral; the chair will slow to a stop and the motor brakes will reengage.
- We recommend that you switch the chair off if you stop for any length of time. This will conserve battery power.

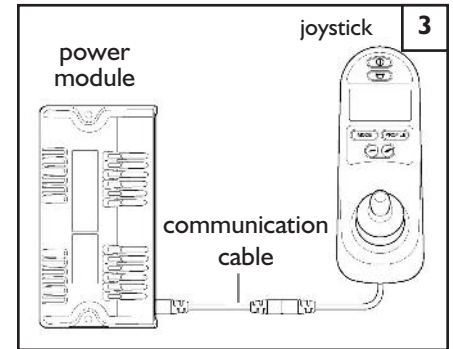
NOTE- Once the chair stops, switching the chair off will not affect the motor brakes.

6. Joystick Boot (H)

Make sure the boot is not torn or cracked (this could allow debris, water or moisture to enter). If the boot is torn or cracked, replace it as soon as you can.

7. Tilt Control (SC only) (I)

This button once depressed allows you to control the up and down movement of the tilt. Press button "I". Then pull the joystick back to tilt the seat upward or push the joystick forward to tilt the seat downward. Pressing button "I" again will allow drive operations to resume.



F. R-NET JOYSTICKS & OMNI CONTROLLER 3 4 5 6



Controls:

- LED monochrome joystick and color display joystick 4

Omni Input/Display 5

The Omni is a universal specialty controls interface that accepts signals from many different types of SIDs (Specialty Input Device) and translates them into commands compatible with the PG Drives Technology RNET control system.

Mating Connectors

To connect the communication cables: 6

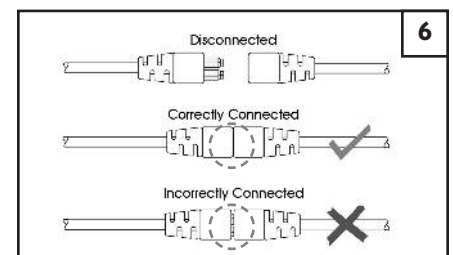
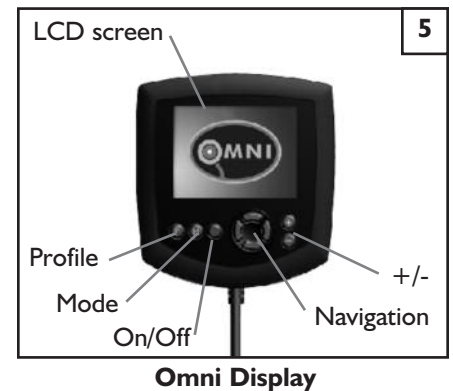
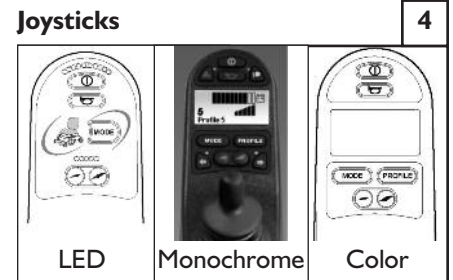
Holding the connector housing, firmly push the connector into its mate until you can no longer see the yellow plastic. The connectors are secured using a friction system.

To disconnect the communication cables:

Holding the connector housing firmly, pull the connectors apart.

NOTE- Do not hold or pull on the cable. Always grip the connector when connecting and disconnecting.

When the control system is first switched on after a connection, or system component change, the timer will be displayed while the system checks itself. Then the re-start icon will be displayed. Switch the control system off and on again to operate,



G. RNET CONTROLLER

The Rnet control system has two versions of the Joystick Module – with and without lighting control. Most of the controls are common to both; however, the lighting buttons are only included on the Joystick Module with lighting control. Each of the controls is explained within this section.

Joystick

The primary function of the joystick is to control the speed and direction of the wheelchair. The further you push the joystick from the center position the faster the wheelchair will move. When you release the joystick the brakes are automatically applied. If the wheelchair is fitted with actuators, the joystick can also be used to move and select actuators, refer to section 5.5 for more details.

On/Off Button

The On/Off button applies power to the control system electronics, which in turn supply power to the wheelchair's motors. Do not use the On/Off button to stop the wheelchair unless there is an emergency. (If you do, you may shorten the life of the wheelchair drive components).

Horn Button

The Horn will sound while this button is pressed.

Mode Button

The Mode button allows the user to navigate through the available operating Modes for the control system. The available modes are dependent on programming and the range of auxiliary output devices connected to the control system.

Profile Button

The Profile button allows the user to navigate through the available Profiles for the control system. The number of available Profiles is dependent on how the control system is programmed. Depending on the way the control system has been programmed a momentary screen may be displayed when the button is pressed.

Hazard Warning Button and LED

This button activates and de-activates the wheelchair's hazard lights. Depress the button to turn the hazards on and depress the button again to turn them off. When activated the hazard LED and the indicator LEDs will flash in sync with the wheelchair's indicators.

Lights Button and LED

This button activates and de-activates the wheelchair's lights. Depress the button to turn the lights on and depress the button again to turn them off. When activated the lights LED will illuminate.

Left Indicator Button and LED

This button activates and de-activates the wheelchair's left indicator. Depress the button to turn the indicator on and depress the button again to turn it off. When activated the left indicator LED will flash in sync with the wheelchair's indicator(s).

Right Indicator Button and LED

This button activates and de-activates the wheelchair's right indicator. Depress the button to turn the indicator on and depress the button again to turn it off. When activated the right indicator LED will flash in sync with the wheelchair's indicator(s).

External On/Off Switch Jack

This allows the user to turn the control system on and off using an external device, such as a buddy button.

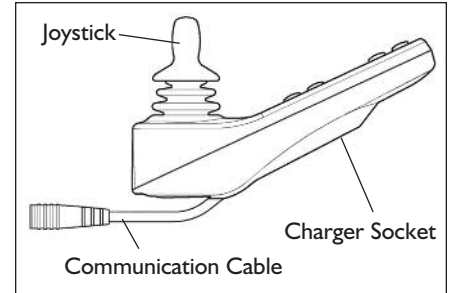
External Stereo Switch Jack (Assignable)

This allows the user to select programmed assigned functions using an external device, such as a buddy button or toggle switch. If the control system is set to latched drive or actuator control operation, then the polarity of the jack input is reversed to effect a fail safe system; meaning this input will provide an External Profile Switch function and an Emergency Stop Switch function.

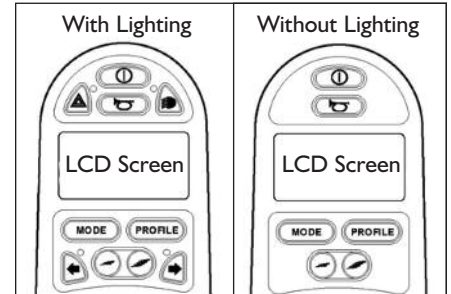
NOTE– The Joystick Module is supplied with rubber bungs that must be inserted into the Jack Socket when no external device is connected.

LCD Screen

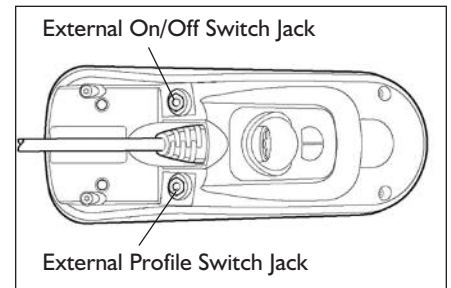
The status of the control system can be understood by observing the LCD screen. The control system is on when the screen is backlit.



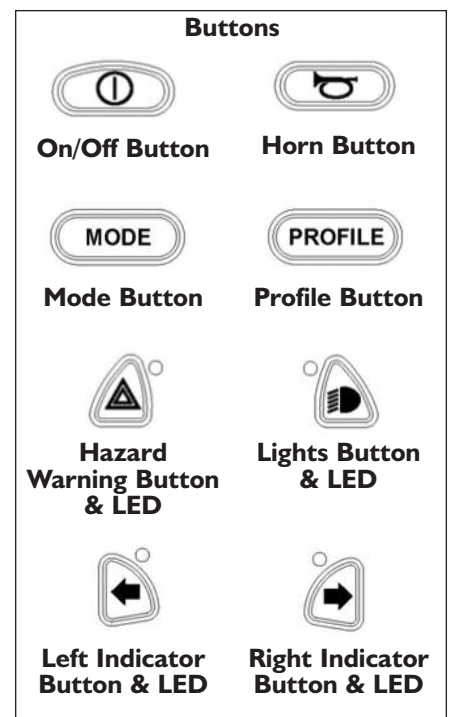
Rnet Joystick Module



Control Panels



Jack Sockets



H. LED JOYSTICK

1. On/Off Button

The on/off button applies power to the control system electronics, which in turn supply power to the wheelchair's motors. Do not use the on/off button to stop the wheelchair unless there is an emergency. (If you do, you may shorten the life off the wheelchair drive components.)

2. Horn Button

The horn will sound while this button is depressed.

3. Battery Gauge

The battery gauge show you that the wheelchair is switched on. It also indicates the operating status of the wheelchair.

- If the battery gauge shows red, yellow and green, the batteries are charged (bars 1 - 10).
- If the battery gauges show just red and yellow, then you should charge the batteries as soon as you can (bars 1 - 7).
- If the battery gauge shows just red, either steady or flashing slowly, then you should charge the batteries immediately (bars 1 - 3).

4. Maximum Speed Indicator

This is a gauge that shows the maximum speed setting of the wheelchair. There are five speed settings— step 1 is the lowest speed and step 5 is the highest speed.

5. Speed Decrease Button

This button decreases the maximum speed setting or, if the control system is programmed for drive profile operation, selects a lower drive profile.

6. Speed Increase Button

This button increases the maximum speed setting or, if the control system is programmed for drive profile operation, selects a higher drive profile.

7. Mode Button

The Mode button allows the user to navigate through the available operating modes for the control system. The available modes are dependent on programming and the range of auxiliary output devices connected to the control system.

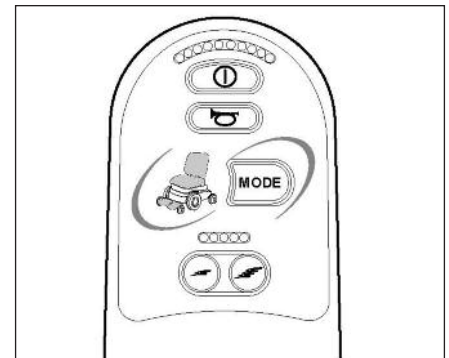
8. Actuator Indicator

This LED set displays which actuator channel is currently being controlled when the control system is in Actuator Mode. Actuator selection and operation is achieved using the joystick.

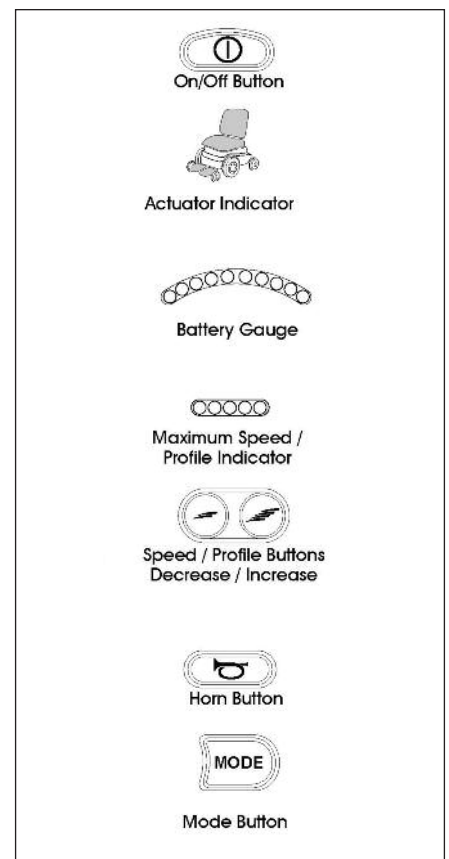
- Motions to the LEFT or RIGHT select different actuator channels.
- Motions FORWARD and BACKWARD move the actuator(s) selected.

9. Speed Indication

The number of LED's illuminated shows the maximum speed setting. For example, if the setting is speed level 4, then the four left hand LED's will be illuminated.



LED Joystick



I. LCD SCREEN

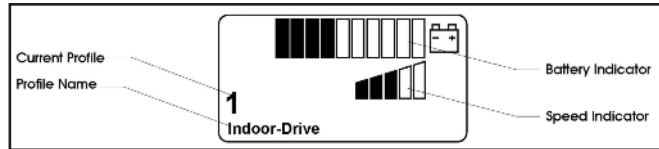
The status of the control system can be understood by observing the LCD screen.

Screen Symbols

The Drive screen for the R-net has common components, which will always appear, and components that will only appear under certain conditions. Below is a view of a typical Drive screen in Profile 1.

Battery Indicator

This displays the charge available in the battery and can be used to alert the user to the status of the battery.



Steady: This indicates that all is well.

Flashing Slowly: The control system is functioning correctly, but you should charge the battery as soon as possible.

Stepping Up: The wheelchair batteries are being charged. You will not be able to drive the wheelchair until the charger is disconnected and you have switched the control system off and on again.

Speed Indicator

This displays the current speed setting. The speed setting is adjusted using the Speed Buttons.

Current Profile

The Profile Number describes which Profile the control system is currently operating in.

The Profile Text is the name or description of the Profile the control system is currently operating in.

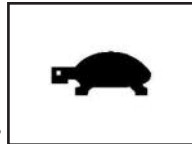
In Focus

When the control system contains more than one method of direct control, such as a secondary Joystick Module or a Dual Attendant Module, then the Module that has control of the wheelchair will display the In Focus symbol.



Speed Limit

If the speed of the wheelchair is being limited, for example by a tilted seat, then this symbol will be displayed.



If the wheelchair is being inhibited from driving, then the symbol will flash.

Latched

When the control system is operating in a latched condition this symbol will be displayed.



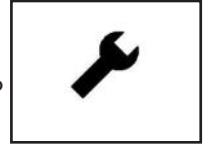
Restart

When the control system requires a reboot; for example, after a module re-configuration, this symbol will be flashed.



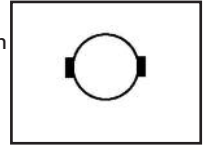
Fault

The control system can detect a wide variety of errors. When the system has detected an error that is not severe enough to cause the system to trip, then this symbol will be displayed.



Motor Temperature

This symbol is displayed when the control system has intentionally reduced the power to the motors, in order to protect them against heat damage.



Control System Temperature

This symbol is displayed when the control system has intentionally reduced its own power, in order to protect itself against heat damage.



Timer

This symbol is displayed when the control system is changing between different states. An example would be entering into Programming Mode. The symbol is animated to show the sands falling.



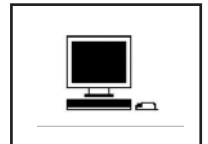
E-Stop

If the control system is programmed for latched drive or actuator operation, then it is normal for an Emergency Stop Switch to be connected into the External Profile Switch Jack. If the Emergency Stop Switch is operated or disconnected, this symbol will be displayed.



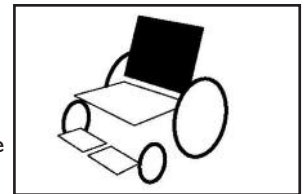
Bluetooth

When Bluetooth Mode is entered the screen will display the following icon.



Actuator Selection Screen

To adjust the seat position the actuator screen must be visible. Depress the Mode Button to scroll through the Mode screens until you reach the actuator screen, displayed below.



Actuator adjustment is achieved as follows.

- Move the Joystick sideways to select the desired axis. (This is indicated by the section of the wheelchair that is highlighted)
- Move the joystick forwards and backwards to move the actuator.
- Repeat these steps for each actuator that requires adjustment.
- To drive again depress the Mode button until the Drive screen is reached.

J. COLOR LCD SCREEN

This section covers those joystick modules that are fitted with a color LCD screen. The color LCD screen is split into three areas of information. The Top Bar, the Base Bar and the Main Screen Area.

1. Top Bar 1 2

Battery Indicator 2: Displays the charge available in the battery and can be used to alert the user to the status of the battery.

Steady: Indicates that all is well.

Flashing Slowly: The control system is functioning correctly, but you should charge the battery as soon as possible.

Stepping Up: The wheelchair batteries are being charged. You will not be able to drive the wheelchair until the charger is disconnected and you have switched the control system off and on again.

2. Base Bar 3

Current Profile: The currently selected profile is shown in numeric form.

3. Main Screen Area

Drive Screen

Profile Name 4: This is a text string that displays the name of the currently selected profile.

Clock 5: This displays the current time in a numeric format.

Speed Display 6: This gives a proportional display of the wheelchair's speed.

Maximum Speed Indicator 7: This displays the current maximum speed setting.

Digital Speed Display 8: This displays the actual speed of the wheelchair derived from the motors.

Inhibit 9: If the speed of the wheelchair is being limited; for example, by a tilted seat, then this orange symbol will be displayed.

Mode Screens

Actuator Mode 10: Displays the sections of the chair currently selected for movement, the name given to the selection and a direction arrow showing what sort of movement is available.

Speed Adjust 11: When Speed Adjust Mode is entered, the following screen shown in Figure 11 will be displayed.

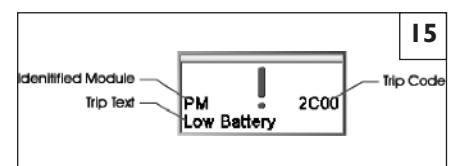
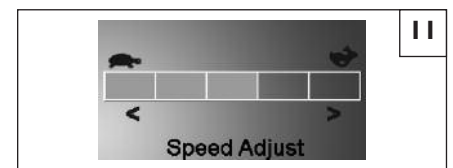
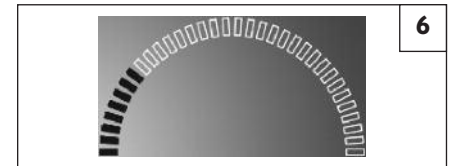
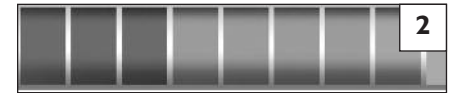
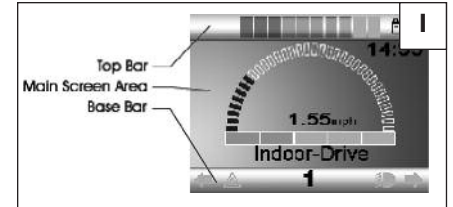
Message Window 12: The RNET displays warning icons and informational messages, in a dedicated message window.

Restart 13: When the control system requires a reboot; for example, after a module re-configuration, this symbol will be flashed.

Timer 14: This symbol is displayed when the control system is changing between different states. An example would be entering into Programming Mode. The symbol is animated to show the sands falling.

Diagnostic Screen 15

When the control system safety circuits have operated and the control system has been prevented from moving the wheelchair, a diagnostics screen will be displayed. This indicates a system trip, i.e. the RNET has detected a problem somewhere in the wheelchair's electrical system.



K. MOTOR BRAKES

Disconnect the motor brake when you need to manually push the chair. (For example, in an emergency, or if batteries fail).

WARNING

1. **Do not disengage motor brake unless power to the chair is off.**
2. **Be aware that the chair will not have brakes in the free-wheel position.**
3. **Make sure that the person pushing the chair has full control when motor locks are disengaged.**

1. Release Motor Brake

To release, push lever down on both the right & left side of the chair.

2. Engage Motor Brake

To engage, pull lever up on both the right & left side of the chair.

A. INTRODUCTION

1. Notes:

- Batteries supply the power for your chair. They contain a finite amount of energy and have limits on how long they can store and supply energy.
- You can charge batteries only a certain number of times before they will fail and no longer hold a charge.
- For answers to questions about batteries, consult your supplier.

2. Use Proper Batteries:

Your chair operates on two 12 volt batteries.

- They should be Gp 24 size with a minimum of 40 ampere hour rating. Only **deep cycle sealed case** construction batteries should be used in this device.
- When you buy a replacement, insist on a deep cycle **sealed case** type. Do not use a car starter battery.

3. Breaking In:

- A battery requires “breaking-in” for the first 6 to 12 charges. It will not accept a full charge for this period.
- It is best to limit the length of your trips until you break the batteries in and you know the range of your chair.

4. Discharged Batteries:

- Never allow a battery to completely discharge. If you operate your wheelchair until it has almost stopped, you will greatly reduce the life of your batteries.
- Never let a battery sit in a discharged condition. Give unused or stored batteries a full charge once per month.
- Always fully charge the batteries. Avoid “topping Off” with frequent charges.

WARNING

Never connect a life support or auxiliary device to a wheelchair battery. The electrical system may fail, and result in severe injury to or death of rider.

B. BATTERY CHARGER

A battery charger produces a direct current (DC). When applied to a discharged battery, this reverses the chemical reaction that led to its discharge.

1. Charge Rate. How fast a battery will charge depends on:

- Its electrical capacity; state of charge; electrolyte temperature, and; internal condition.
- The DC output of the charger. (The charge rate will vary if the alternating current (AC) supply is higher or lower than 110 volts).

2. Caution — To Avoid Damage to the Charger:

- **Never** place the charger on top of a battery during charging. (Gases from the battery can damage the charger and may lead to an explosion or fire).
- **Never** place a battery on top of the charger.
- **Never** expose charger to rain or snow.
- **Never** unplug charger by pulling on the electrical cord. This will damage the cord.
- Never open a charger or attempt to repair it yourself. Return charger to Sunrise or have repairs made **only** by a qualified person.
- Keep cord out of the way, where it will not be stepped on, tripped over, or damaged.

3. Caution — To Avoid Damage to the Battery:

- Make sure you use the correct setting for sealed (gel) batteries (located on the off-board charger).
- **Never** charge a frozen battery. A fully charged battery will rarely freeze, but the fluid in a discharged battery can freeze at 16 degrees Fahrenheit (minus 9 degrees Centigrade). If you suspect a battery is frozen, thaw it before charging.

WARNING

Lead acid batteries generate explosive gas while charging. Completely read and follow all warnings about the batteries in this user instruction manual and any labels applied to the product. Failure to do so could result in fire, explosion, injury and/or death.

C. ACID BURNS (UNSEALED WET CELL BATTERIES)

Acid in batteries is corrosive. It can cause serious burns to the eyes and skin and can damage floors, furniture, clothing and your wheelchair.

⚠ WARNING

1. Use extreme care not to spill acid when you handle batteries. Keep batteries upright.
2. Avoid contact of acid with bare skin or clothing.
3. Always wear rubber gloves and safety glasses when you handle batteries.
4. If acid contacts your skin or clothing, wash immediately with soap and water.
5. If acid contacts your eyes, immediately flood eyes with cold running water for at least 15 minutes. Seek medical attention immediately.

D. CONNECTING BATTERIES IN BATTERY BOX

⚠ WARNING

1. Each battery weighs up to 55 lbs. Take care to avoid injury when lifting.
2. Keep batteries upright. Take care not to spill acid (wet cell batteries).
3. Always wear rubber gloves and safety glasses when you handle batteries.
4. Before working around batteries, remove all metal personal effects, such as necklaces, rings, watches, pins, and other metal jewelry that might contact battery terminal and cause a short.

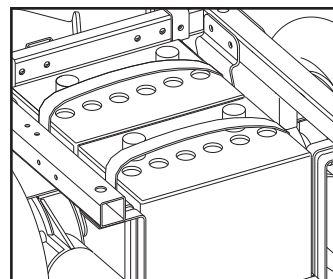
⚠ WARNING

Each battery weighs up to 55 pounds. Lifting batteries may cause back strain. If you fail to heed these warnings severe injury may occur to you.

1. Attach battery harness to posts. Connect the positive lead to the positive terminal and the negative lead to the negative terminal. Do this for each battery.
2. Tighten all terminal fasteners using two wrenches.
3. Place the batteries in the battery box.
4. Connect the power harness connector to the battery harness connector.
5. Place the lid on the box. Slide box into position in the rear of the chair. Turn both swedge latches down. (see Section IX-D)

⚠ WARNING

Never make direct contact across both battery terminals, as an explosion may occur. A spark may result in an explosion and/or fire resulting in severe injury or death.



Refer to wiring diagram for battery connections

E. CHARGING BATTERIES

⚠ WARNING

To avoid the risk of severe injury or death from electrical shock, fire or explosion while charging:

1. Never connect charger to a 240 volt source. The mains input voltage is 110 volts.
2. Never touch the charger after it is connected to an electrical outlet. This may cause electrical shock.
 - Never connect or disconnect charger from battery while there is power to the charger.
3. Never use an extension cord. Use of an improper cord could damage the charger, or cause a fire or electrical shock.
4. A battery emits explosive hydrogen gas during charging. To reduce the risk of fire or explosion:
 - Make sure area is well vented. Never charge battery in a closed-in area.
 - Never smoke or allow a spark, flame or high heat near battery during charging.
 - Never allow metal tools or chair parts to make direct contact across both terminals.
5. Never look directly into cells when charging battery.

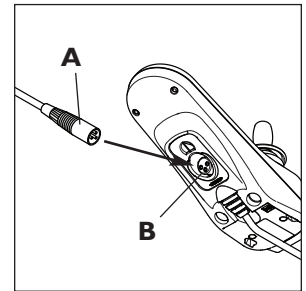
Always:

1. Use the charger that comes with your wheelchair. Read and follow all instructions and warnings.
2. Make sure room is well ventilated.
3. Turn off all power to your chair.

4. Connect and disconnect battery cables with caution. Only connect the charger to the power supply after the charger has been connected to the chair.
5. Make sure to allow enough time to fully charge batteries.

NOTE— Batteries should never be left for long periods in the discharged state. Unused or stored batteries should be given a charge once per month.

6. Charge batteries by engaging the battery charger connector (A) to the charger/programming port (B) located on the joystick.



Remote Joystick

F. DISPOSING OF BATTERIES

⚠ WARNING

1. All batteries once they have reached the end of their useful life are deemed to be hazardous waste.
2. For further information on handling and recycling contact your local recycling authority.
3. Always dispose of product through a recognized agent.

A. NOTES

1. Proper maintenance will improve performance and extend the useful life of your chair.
2. Clean your chair regularly. This will help you find loose or worn parts and will make your chair easier to use.
3. To protect your investment, have all major service and repair work done by your supplier.

WARNING

1. **Your chair needs regular maintenance for peak performance and to avoid injury from chair failure, damage or premature wear.**
2. **Inspect and maintain this chair strictly per the “Maintenance Chart”.**
3. **If you detect a problem, make sure to service or repair the chair before use.**
4. **At least once a year, have a complete safety check and service of your chair performed by a supplier.**

B. CLEANING

1. Paint Finish:

- Clean the paint finish with mild soapy water monthly.
- Protect the paint with a coat of non-abrasive auto wax every three months.

2. Motors:

- Clean around motor area weekly with a slightly damp (not wet) cloth.
- Wipe off or blow away any fluff, dust, or dirt on or around the motors.

NOTE– You do not need to grease or oil the chair.

3. Upholstery:

- Hand-wash only as needed. Machine washing may damage fabric.
- Drip-dry only. Heat from a dryer may damage fabric.

NOTE– Washing the fabric may decrease fire retardant properties.

C. STORAGE TIPS

1. Store your chair in a clean, dry area. If you fail to do so, parts may rust or corrode.
2. Before using your chair, make sure it is in proper working order. Inspect and service all items on the “Maintenance Chart”.
3. If you store this chair for more than three months, have it inspected by a supplier before use.

D. BATTERY MAINTENANCE

WARNING

1. **To prevent an acid spill, always keep batteries upright (wet cell batteries).**
2. **Never smoke or hold an open flame near batteries.**
3. **Always wear rubber gloves and safety glasses when you handle batteries.**

1. Maintenance Schedule:

This varies for different types of batteries. Always follow the instructions supplied with your batteries.

NOTE– Always wear rubber gloves and safety glasses when you handle or service batteries.

2. Adding Water: (Wet Cells Only)

- Wet-type lead acid batteries need periodic replacement of water.

NOTE– Use distilled water only.

- Check the battery fluid level about once a week. When you remove the stoppers (on top of the battery) there should be one-eighth to one-quarter of an inch of fluid above the internal plates. Do not overfill.

3. Corrosion:

Check battery terminals often for corrosion.

- a) If corrosion is present, use a wire brush to clean the terminals.

NOTE– Always wear safety glasses and rubber gloves.

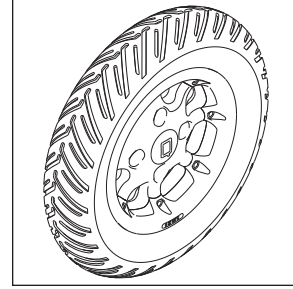
- b) Use baking soda to neutralize acid.
- c) Use petroleum jelly to re-grease the terminals after connecting cable to battery.
(Completely cover the terminal nut and bolt, cable clip and any exposed cable with jelly).

4. For Answers To Questions: Contact your supplier.

E. PNEUMATIC TIRES

⚠ WARNING

1. Do not use this chair if any of the tires are under- or over-inflated.
 2. Low pressure in a tire may cause the chair to veer to one side and result in loss of control.
 3. An over-inflated tire may burst.
 4. Never use a gas station pump to inflate a tire. Such pumps provide air at high volume, and may cause tire to burst.
1. Check for signs of wear and correct air pressure in pneumatic tires weekly.
 2. For best performance, inflate tires to the same pressure level, as shown on the tire sidewall:
 - 8" pneumatic casters - 30 to 40 psi
 - 14" pneumatic drive wheels - 35 to 45 psi for knobby tires and 25 psi for V-groove tires.
 3. **CAUTION:** To prevent tire damage:
 - Use a hand pump (or a **low volume** air pump) to inflate tires.
 - Use a tire gauge to check pressure.

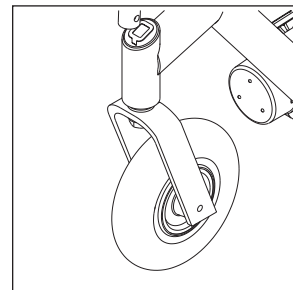
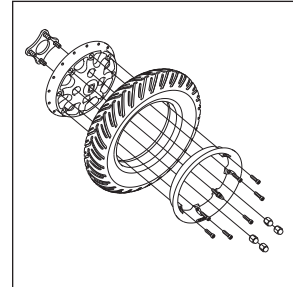


F. TO REPAIR OR REPLACE A TIRE

⚠ WARNING

Residual air pressure in tires can cause severe injury. Make sure you release all air in tire before attempting to service or repair tires.

1. **8" Caster Wheels:**
 - a) Release all air from tire.
 - b) Remove caster wheel from fork.
 - c) Make sure there is no residual air in tire before you remove bolts that hold the two rim halves together.
 - d) Remove four bolts from rim. Separate two halves of rim.
 - e) Repair or replace inner tube.
 - f) Reassemble the caster wheel; make sure the bearing spacer is in place and all four bolts are secure.
- NOTE**– Use a torque setting of 240 inch-pounds when tightening bolts.
- g) Mount caster wheel onto fork. Install washers correctly.
 - h) Inflate tire to proper pressure level.



2. **14" Drive Wheels:**
 - a) Elevate and securely support chair so that wheel is off the ground.
 - b) Release all air from tire.
 - c) Remove the four lug nuts securing wheel to hub (this is necessary only if technician desires to remove entire wheel assembly– not required).
 - d) Remove all bolts holding two halves of rim together.
 - e) Repair or replace inner tube.
 - f) Reassemble wheel rim.
 - Use a torque setting of 180 lbs.-in. to re-tighten bolts.
 - g) Re-secure wheel to hub using four lug nuts.
 - Use a torque setting of 240 lbs.-in. to re-tighten lug nuts.
 - h) Inflate tire to proper pressure level (listed on tire sidewall).
 - It is recommended to operate chair for 10-15 hours and then re-verify installation torque of lug nuts at 240 lbs.-in.

G. MOTOR BRUSHES

You should have your supplier check the motor brushes every four (4) months for wear. The brushes should be clean and shiny. Replace worn or blackened brushes.

H. ORDERING PARTS

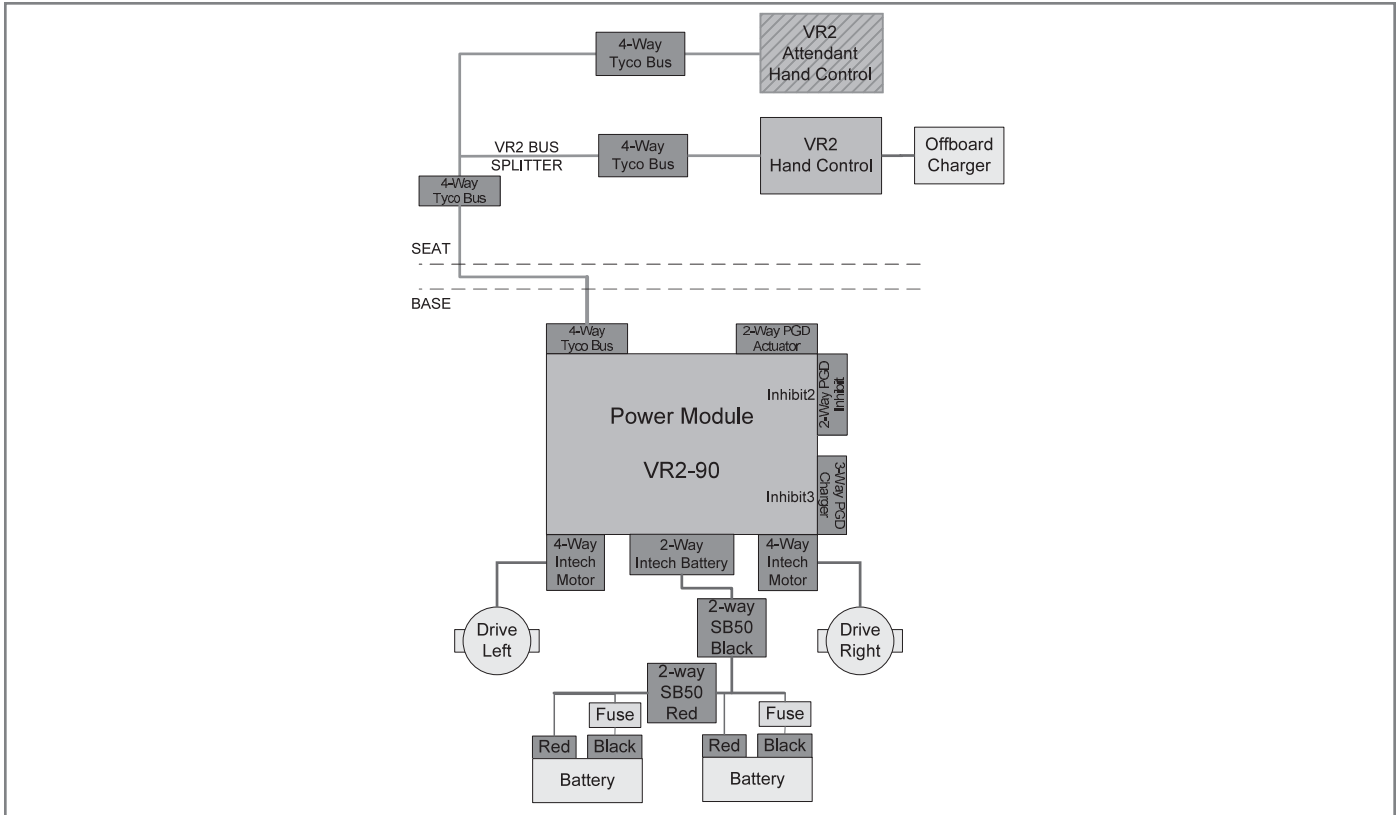
When you order parts, provide the following:

1. Model of chair
2. Serial number of chair
3. Left hand or right hand control
4. Part number, description and quantity of parts you need.
5. State reason for replacement.

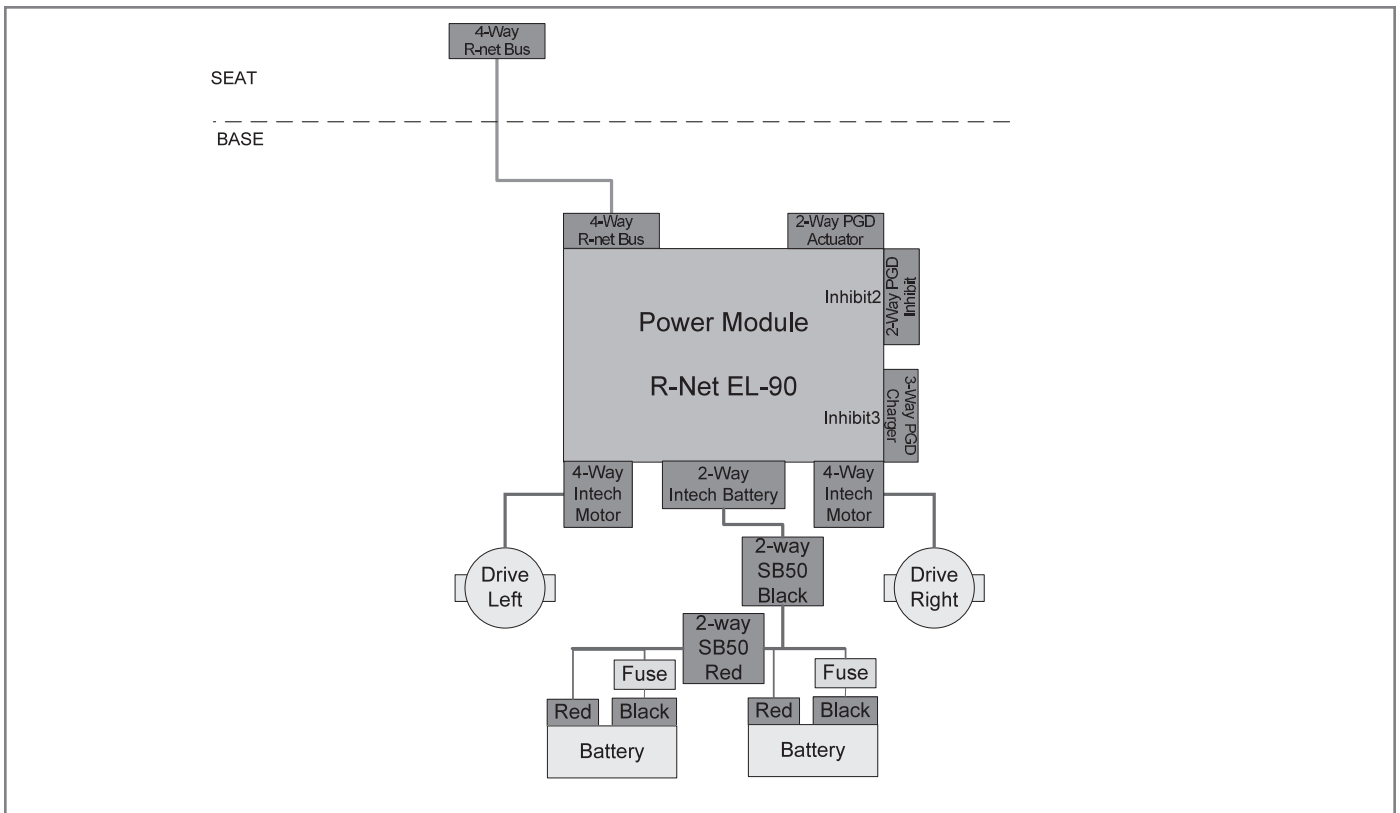
I. MAINTENANCE CHART

You should check the items on this chart at the indicated intervals. If any of the items are loose, worn, bent or distorted, immediately have them checked and/or repaired by your authorized Sunrise supplier. Frequent maintenance and servicing will improve performance, extend wheelchair life, and help prevent injuries.

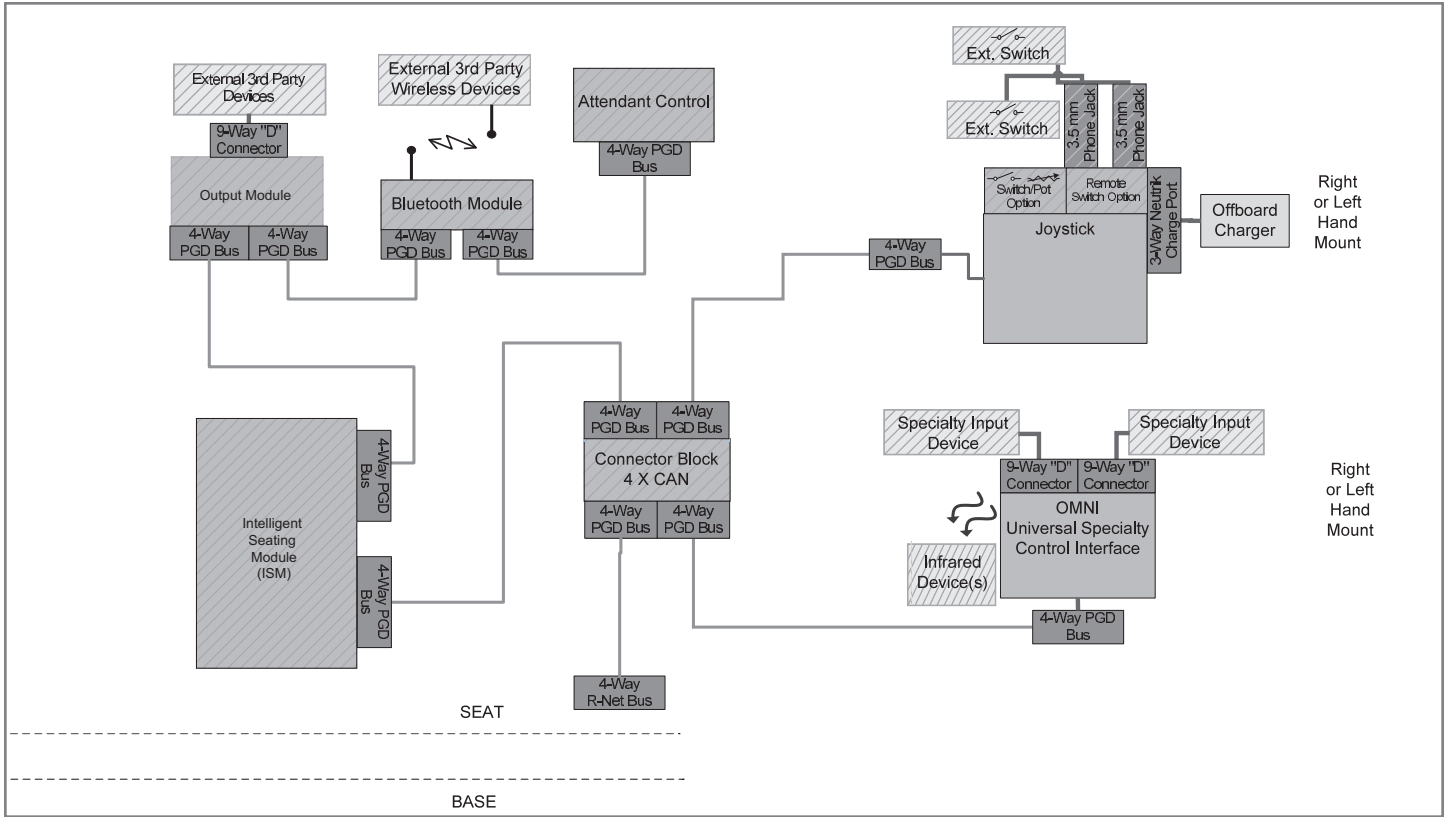
CHECK...	Daily	Weekly	Monthly	Quarterly	Annually
Charge Batteries	✓				
Check tires for proper inflation level			✓		
Check batteries for proper electrolyte level (wet cell only)			✓		
Check plugs and connectors for proper connections				✓	
Check all moving parts for wear					✓
Inspect all nuts, bolts and fasteners for looseness or wear					✓
Inspect upholstery for wear					✓
Remove and inspect motor brushes					✓
Servicing by authorized Supplier					✓



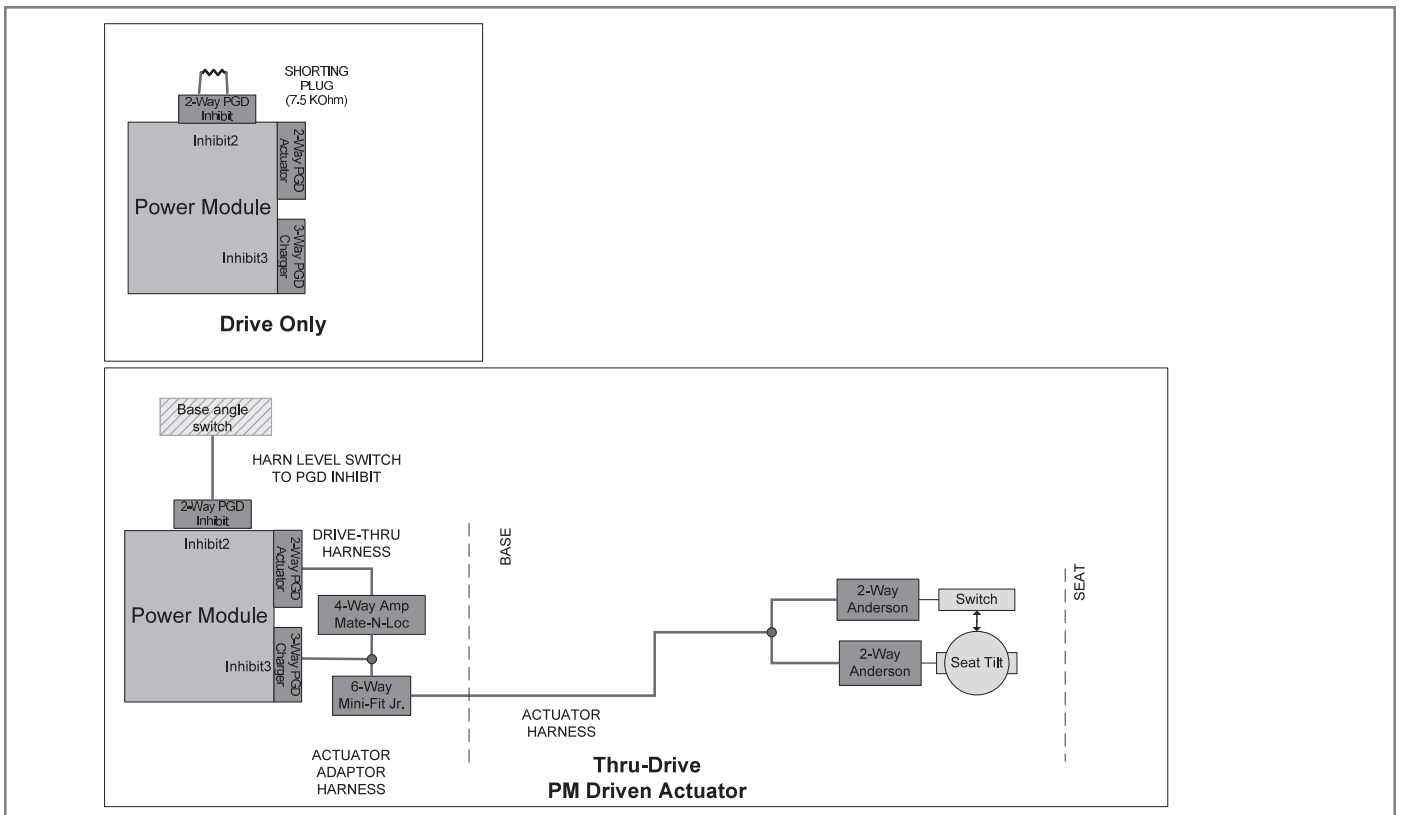
VR2-90



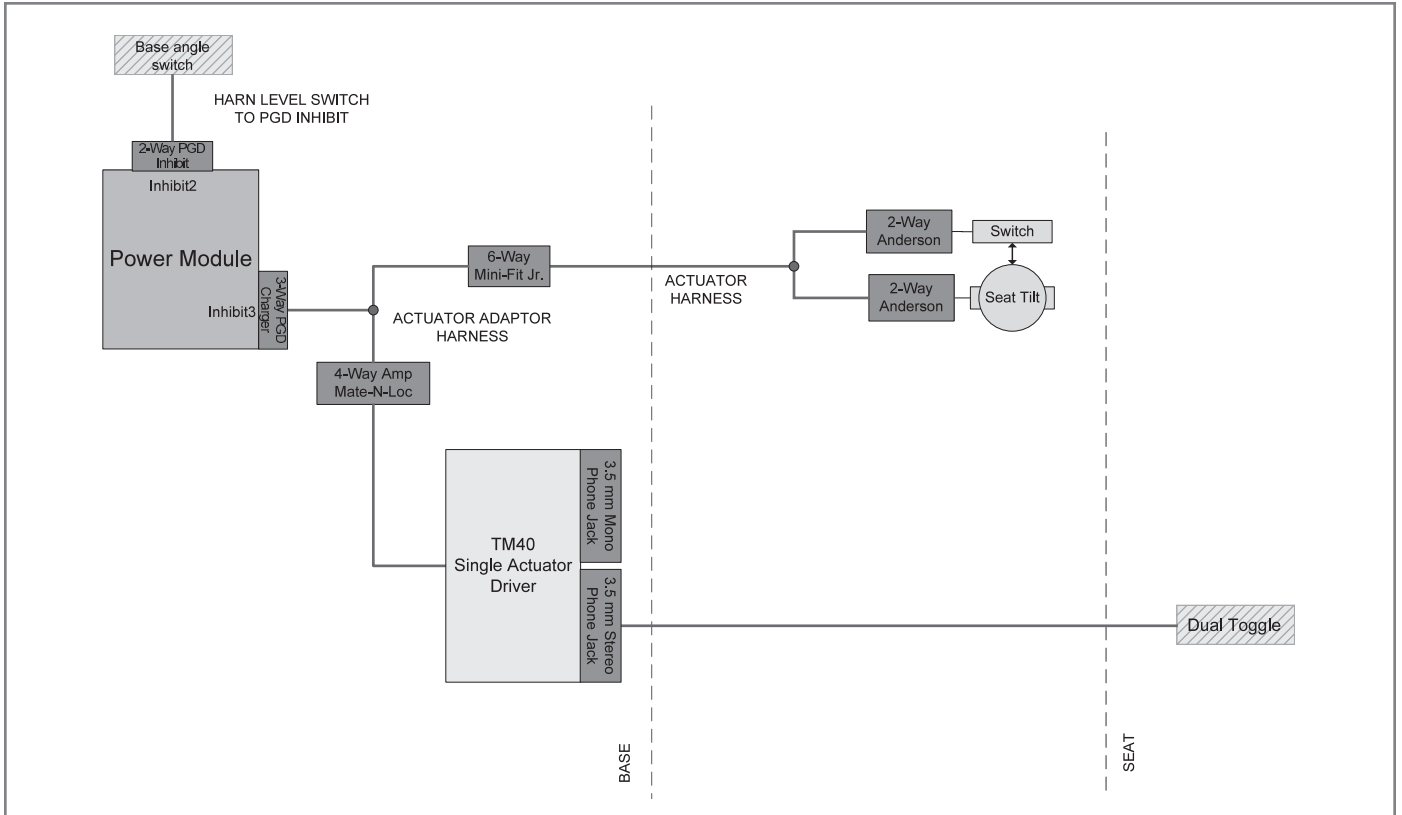
R-NET EL-90



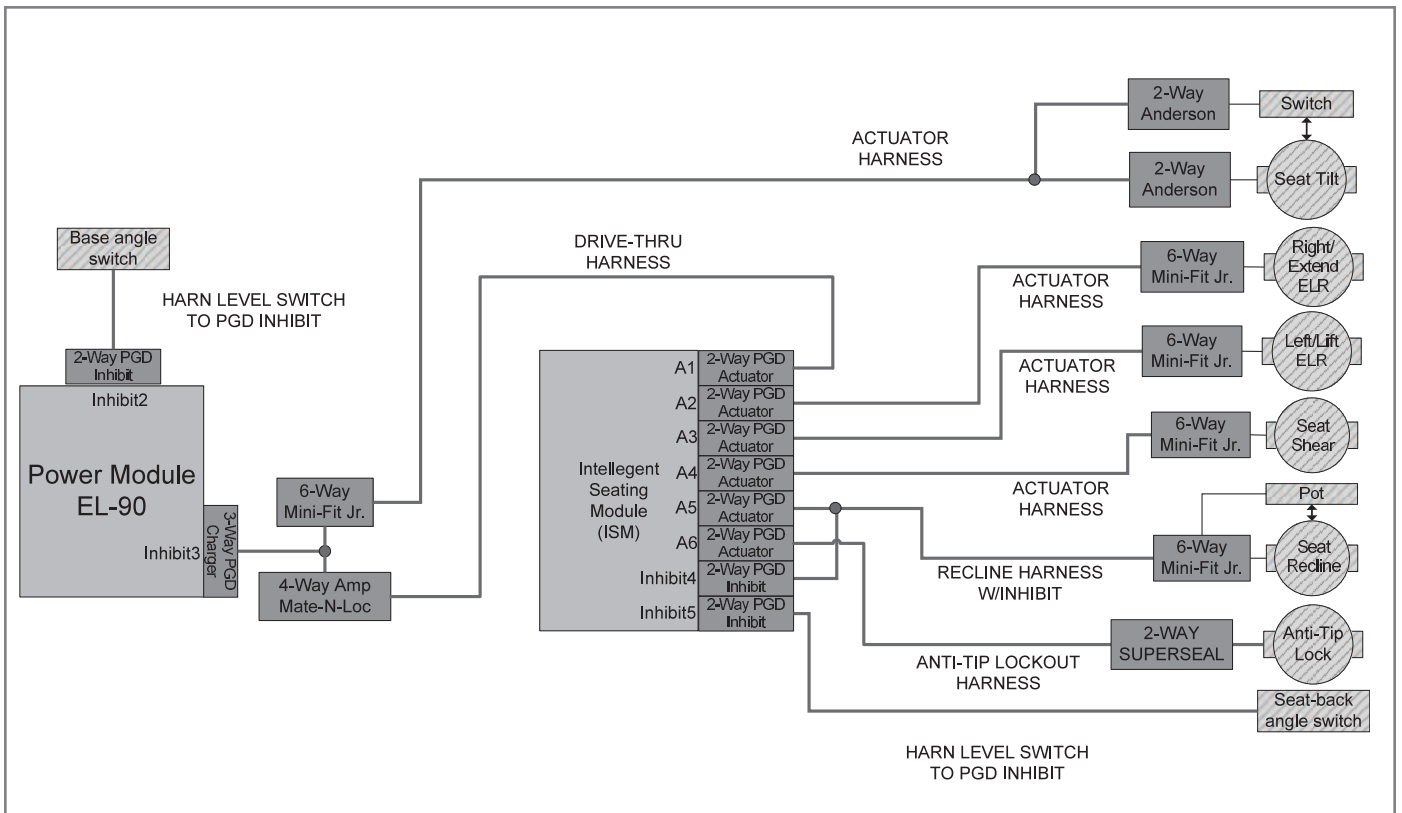
R-NET BUS CONNECTIONS



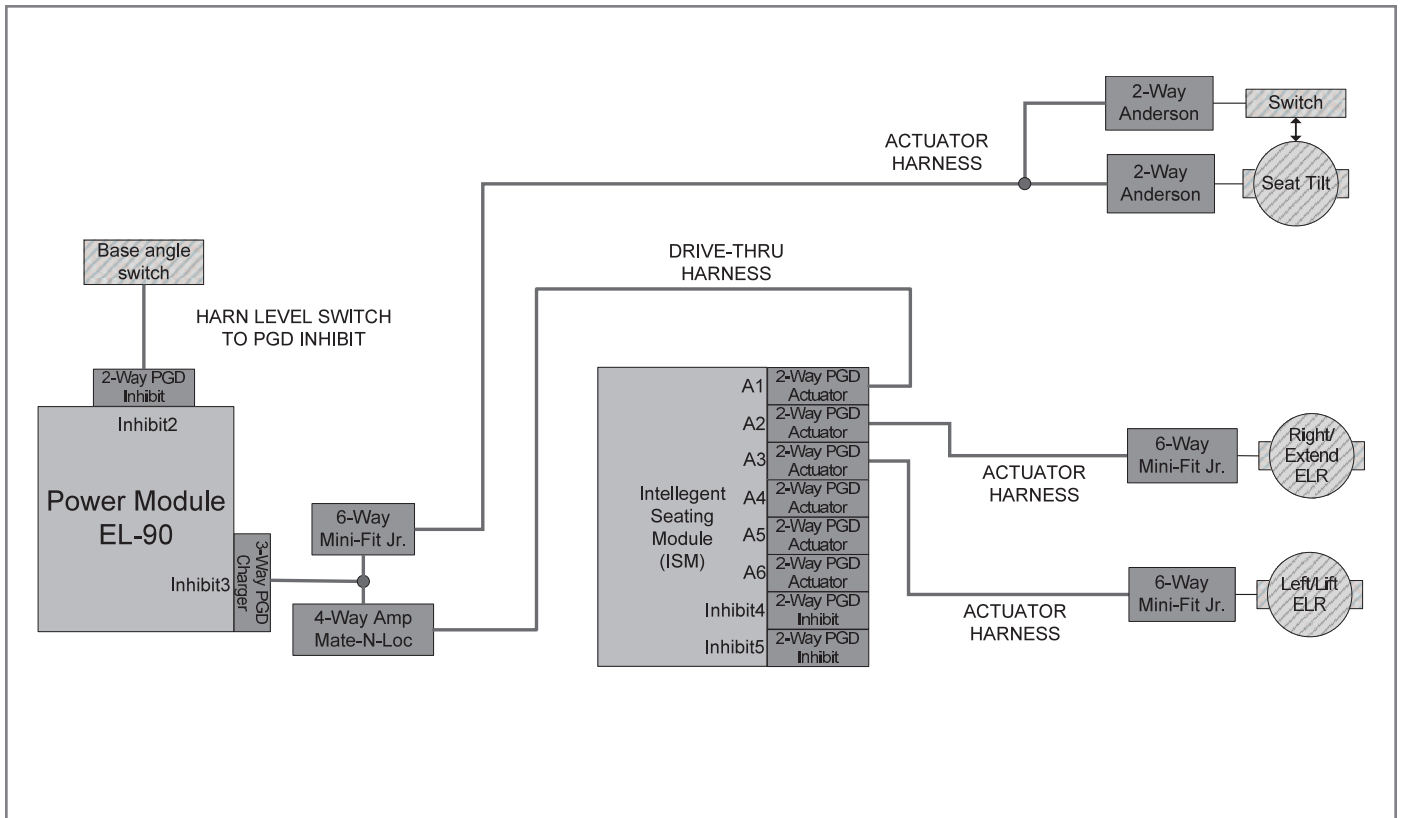
DRIVE ONLY AND THRU-DRIVE ACTUATOR CONNECTIONS



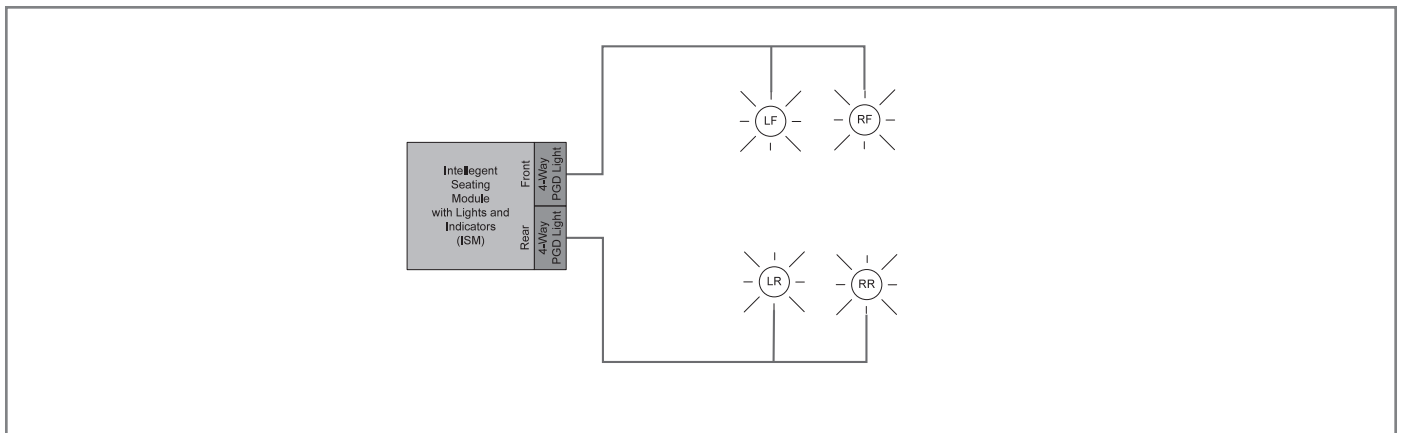
SWITCH DRIVEN SINGLE ACTUATOR DRIVER



R-NET MULTI-ACTUATOR



R-NET MULTI-ACTUATOR W/O RECLINE



LIGHTS & INDICATORS

A. FOR FIVE (5) YEARS

Sunrise warrants the frame of this wheelchair against defects in materials and workmanship for five years from date of first consumer purchase.

B. FOR ONE (1) YEAR

We warrant all Sunrise-made parts and components of this wheelchair against defects in materials and workmanship for one year from the date of first consumer purchase.

C. FOR ONE (1) YEAR

We warrant all motors, gearboxes, batteries, and electronic components of this wheelchair against defects for one year from the date of first consumer purchase.

D. LIMITATIONS

1. We do not warrant:
 - a. Tires and tubes, upholstery, pads and push-handle grips.
 - b. Damage from neglect, accident, misuse, or from improper installation or repair.
 - c. Products modified without Sunrise Medicals express written consent.
 - d. Damage from exceeding the weight limit.
2. This warranty is VOID if the original chair serial number tag is removed or altered.
3. This warranty applies in the USA only. Check with your supplier to find out if international warranties apply.
4. This warranty is not transferable and only applies to the first consumer purchase of this wheelchair through an authorized Sunrise Medical dealer.

E. WHAT WE WILL DO

Our sole liability is to repair or replace covered parts. This is the exclusive remedy for consequential damages.

F. WHAT YOU MUST DO

1. Obtain from us, while this warranty is in effect, prior approval for return or repair of covered parts.
2. Return the wheelchair or part(s), freight pre-paid, to Sunrise Mobility Products Division at: 2842 Business Park Avenue, Fresno, CA 93727-1328.
3. Pay the cost of labor to repair, remove or install parts.

G. NOTICE TO CONSUMER

1. If allowed by law, this warranty is in place of any other warranty (written or oral, express or implied, including a warranty of merchantability, or fitness for a particular purpose).
2. This warranty gives you certain legal rights. You may also have other rights that vary from state to state.

Record your serial number here for future reference:

Sunrise Medical • 2842 Business Park Ave. • Fresno, CA 93727 • USA
In Canada (800) 263-3390



Customer Service: 800.333.4000
www.SunriseMedical.com

©2010 Sunrise Medical (US) LLC
10.10 108833 Rev. C