



Aqua Creek Products

The Total Solution for Pool and Spa Access



EZ POOL LIFT™

PART NUMBER: F-03EZPL

Installation, Assembly and Operation Instructions

400 LBS [181 kg] MAXIMUM LIFTING CAPACITY

MANDATORY – LEAVE THIS MANUAL WITH LIFT OWNER

- WARNING -

IMPORTANT SAFETY INSTRUCTIONS

- 1. READ AND FOLLOW ALL INSTRUCTIONS. LIFT SAFETY CAN ONLY BE ENSURED IF THE LIFT IS INSTALLED AND OPERATED PROPERLY – ACCORDING TO THESE INSTRUCTIONS.**
- 2. TO REDUCE THE RISK OF INJURY, DO NOT PERMIT CHILDREN TO USE THIS PRODUCT UNLESS THEY ARE CLOSELY SUPERVISED AT ALL TIMES.**
- 3. DO NOT PERMIT CHILDREN TO PLAY ON OR AROUND THIS PRODUCT.**
- 4. NEVER APPLY DIRECT WATER PRESSURE TO THE ELECTRONIC COMPONENTS.**
- 5. SAVE A COPY OF THESE INSTRUCTIONS IN A SAFE AND EASILY ACCESSIBLE PLACE.**

**Aqua Creek Products
9889 GARRYMORE LANE
Missoula, MT 59808**

Toll Free: 1-888-687-3552 • Fax: 1-406-549-2602 • Web: www.aquacreek.com

TABLE OF CONTENTS

| | |
|---|----|
| EZ Pool Lift™ Parts Lists | 3 |
| Retro-fit anchor Installation Instructions | 4 |
| New construction anchor installation instructions | 6 |
| EZ Pool Lift™ Assembly Instructions | 7 |
| EZ Pool Lift™ Operating Instructions | 9 |
| Safety, cleaning and maintenance | 10 |
| EZ Pool Lift™ Detailed Parts List | 11 |
| Warranty | 12 |

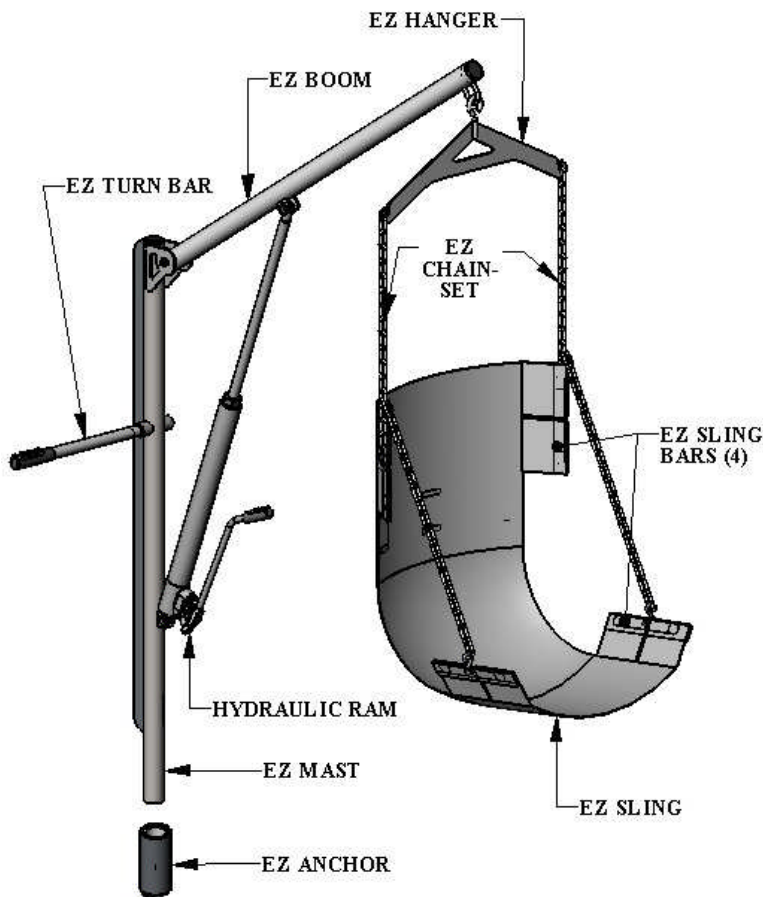
THE EZ POOL LIFT™

- READ CAREFULLY-

Check entire box and inside all packaging materials for parts. Before beginning assembly, read the instructions and identify parts using the figures and parts lists in this document. It is critical that all parts be carefully inspected by the installer prior to installation to ensure that no damage occurred in transit and that a damaged part is not used. If any damage occurred in transit or you are missing parts, notify Aqua Creek Products Immediately! Failure to notify Aqua Creek of damaged or missing parts within 3 days of receipt of shipment may affect your ability to receive replacement parts. Proper installation cannot be overstressed – improper installations will void the warranty and may affect the safety of the user.

The EZ Lift™ and Power EZ Lift™ arrive partially assembled in multiple boxes. Begin by removing all parts from the boxes and locating the parts for your lift in the parts lists below. Refer to the parts breakdown drawings in the back of this manual for assistance.

PARTS LIST – EZ POOL LIFT™



BOX "A" CONTENTS (ANCHOR INCLUDED)

| ITEM # | QTY. | DESCRIPTION |
|--------|------|--------------------------|
| 1 | 1 | BOOM/MAST ASSEMBLY |
| 2 | 1 | HYDRAULIC RAM |
| 3 | 1 | EZ TURN-BAR [A-0808EZTB] |

BOX "B" CONTENTS (ANCHOR INCLUDED)

| ITEM # | QTY | DESCRIPTION |
|--------|-----|------------------------------|
| 1 | 1 | EZ SLING [F-034Ezs] |
| 2 | 1 | EZ CHAIN SET [F-031EZCH] |
| 3 | 1 | EZ HANGER [F-038EZHB] |
| 4 | 1 | EZ SLING BARS [F-032EZB] |
| 5 | 1 | EZ ANCHOR [F-033EZA] |
| 6 | 2 | 3/8" X 1-3/4" HEX BOLT, S.S. |
| 7 | 4 | 3/8" FLAT WASHER, S.S. |
| 8 | 2 | 3/8" NYLOCK NUT, S.S. |
| 9 | 1 | EZ POOL LIFT MANUAL |

EZ POOL LIFT™ ANCHOR INSTALLATION

NOTE: The EZ Pool Lift™ comes standard with a 6" deep anchor socket that is installed into a concrete deck. Anchor options include a surface mount anchor and a wood deck anchor system both purchased separately. The EZ Pool Lift™ standard 6" anchor system can be installed in an existing pool deck (Retro-fit installation) or when pouring a new concrete pool deck (New construction installation). If the anchor has already been installed you can move on to the assembly section of this manual that is appropriate to the lift you purchased.

EZ POOL LIFT™ RETRO-FIT ANCHOR INSTALLATION

NOTE: The concrete deck around the anchor system should be a minimum of 8" thick and should be reinforced with #4 reinforcing bars spaced on 10" centers in each direction. The total concrete pad area should be at least 60" wide (measured away from the pool edge) and 60" long (parallel with the pool edge).

REQUIRED TOOLS (Core Drilling Method)

| | |
|----------------------------------|---------------------------------|
| Tape Measure | Core Drill |
| 4" [10 cm] Core Drill Bit | Electrical tape |
| 2-part Epoxy or Hydraulic Cement | Small Carpenters Level |
| Felt Tip Marking Pen | Vacuum or compressed air source |

STEP 1:

Determine the best location for the lift. Be sure to mount the lift at a location that provides at least 42" [107 cm] and no more than 48" [122 cm] from deck level to the bottom of the pool. Make sure the location includes enough clear deck space to easily transfer into the lift seat. Keep in mind this lift will require assistance from another person to operate and you should locate it in an area that can accommodate another person. The lift should also be located so as to provide at least 6' [1.8 m] of unobstructed deck to each side of the lift to accommodate easy maneuvering of the lift over the water and back.

STEP 2:

Locate the concrete anchor socket that came with your lift. Be careful to not lose the protective cap on the anchor. This will be used to keep dirt and debris out of the socket when the lift is not installed in the anchor.

STEP 3:

The setback to the center of the anchor must be no less than 12" [30.5 cm] and no more than 20" [51 cm] from the pool wall. The anchor location must also be at least 6" [15 cm] from any control joint or edge of concrete slab. Measure the location out using your tape measure and marking pen. (Reference the drawing on the next page for details).



STEP 4:

Core drill at least a 4" [10 cm] diameter hole at the desired location for the lift anchor socket. The hole will need to be at least 7" [18 cm] deep to allow for the grounding lug which protrudes from the bottom of the anchor. Depending on the thickness of your concrete slab, you may drill completely through the slab and into the underlying dirt. If you have drilled all the way through your deck you need to saw cut the deck and pour a new footing according to the deck requirements at the beginning of this section.



TIP: Use the electrical tape to make a mark on your drill bit at 7" [18 cm] as a depth mark to tell you when to stop drilling.

STEP 5:

Clean out the hole and make sure your hole is deep enough to allow the anchor to be flush with the finished deck surface.

STEP 6:

Ground the anchor according to your local code requirements. (This may require additional drilling and/or other tools).

STEP 7:

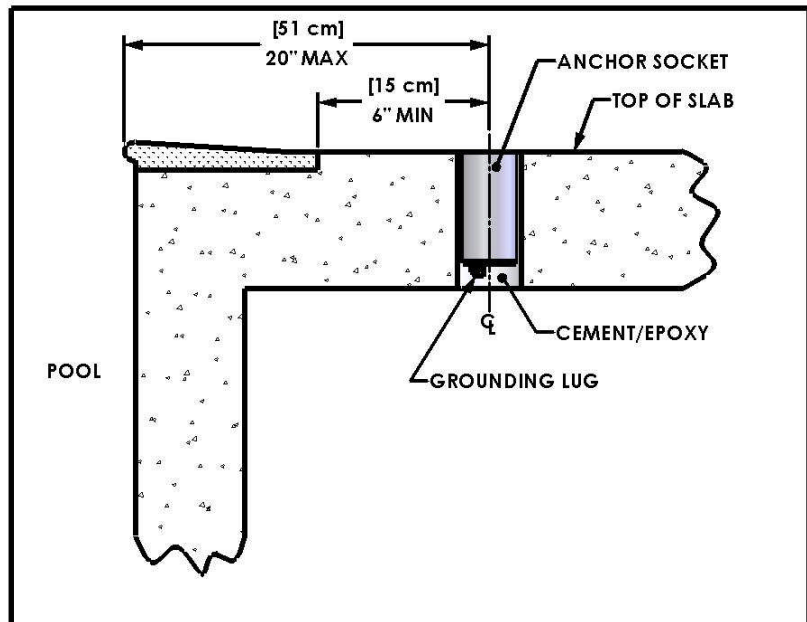
Carefully insert the anchor into the hole and pour some cement or epoxy around the anchor to provide support enough to check for plumb.



TIP: Fill the hole about 1/3 full of cement or epoxy prior to inserting the anchor. As you insert the anchor rotate it back and forth so that you can evenly distribute the cement or epoxy around the anchor.

STEP 8:

Check the anchor for level and plumb and pour hydraulic cement or high strength epoxy into the remaining space around the anchor making sure there are no void spaces. Let cement or epoxy cure for 24 hours (or minimum manufacturer's recommendations) before using lift.



NEW CONSTRUCTION ANCHOR INSTALLATION

NOTE: The concrete deck around the anchor system should be a minimum of 8" thick and should be reinforced with #4 reinforcing bars spaced on 10" centers in each direction. The total concrete pad area should be at least 60" wide (measured away from the pool edge) and 60" long (parallel with the pool edge).

REQUIRED TOOLS

Tape Measure
String Level

Small Carpenters Level
String Line

STEP 1:

Determine the best location for the lift. Be sure to mount the lift at a location that provides at least 42" [107 cm] and no more than 48" [122 cm] from deck level to the bottom of the pool. Make sure the location includes enough clear deck space to easily transfer into the lift seat. Keep in mind this lift will require assistance from another person to operate and you should locate it in an area that can accommodate another person. The lift should also be located so as to provide at least 6' [1.8 m] of unobstructed deck to each side of the lift to accommodate easy maneuvering of the lift over the water and back.

STEP 2:

Locate the concrete anchor socket that came with your lift. Be careful to not lose the protective cap on the anchor. This will be used to keep dirt and debris out of the socket when the lift is not installed in the anchor.



STEP 3:

The setback to the center of the anchor must be no more than 20" [51 cm] from the pool wall and at least 6" [15 cm] from any control joint or edge of concrete slab. Measure the location out using your tape measure. (Reference the drawing on the previous page for details).

STEP 4:

Ground the anchor according to your local requirements.

STEP 5:

Place the anchor in the proper location using the string level and string line to make sure the top of the anchor will be flush with the finished surface of the new deck. Place a small amount of concrete at the location of the anchor to hold it in place.

STEP 6:

Verify all your measurements for accuracy and pour the deck as you normally would, making sure not to get any concrete inside the anchor system. Allow the concrete to cure before installing and using the lift.

ASSEMBLY INSTRUCTIONS – EZ POOL LIFT™

REQUIRED TOOLS

9/16" Wrench

3/4" Wrench

The EZ Pool Lift™ arrives with the boom arm attached to the mast. To complete the assembly, layout all parts needed on a large clean area.

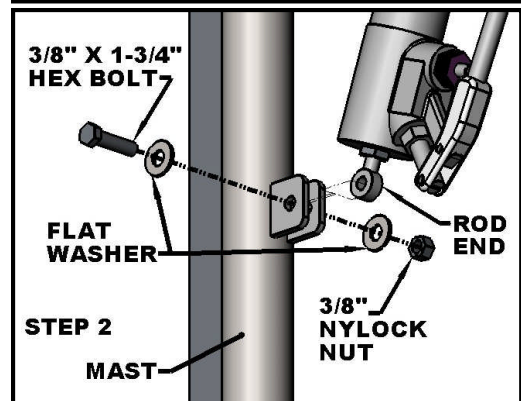
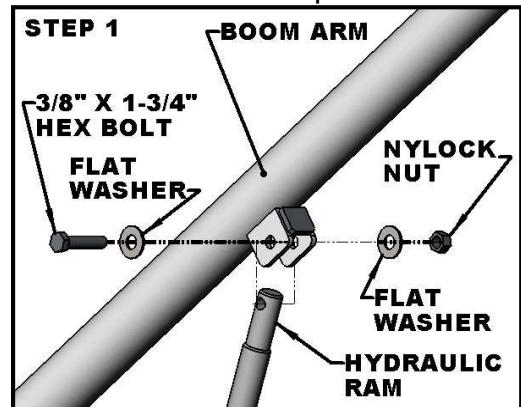
STEP 1:

Locate the Hydraulic ram and attach the upper end of the hydraulic ram to the boom with one (1) 3/8" x 1-3/4" hex head bolt, two (2) 3/8" flat washers, and one (1) 3/8" nylock nut.

STEP 2:

Connect the lower end of the hydraulic ram to the mast with one (1) 3/8" x 1-3/4" hex head bolt, two (2) 3/8" flat washers, and one (1) 3/8" nylock nut.

!WARNING!
MAKE SURE THAT THE 3/8" ROD END IS ALWAYS FULLY SEATED WITH THE MAXIMUM ALLOWABLE THREAD BEING USED.

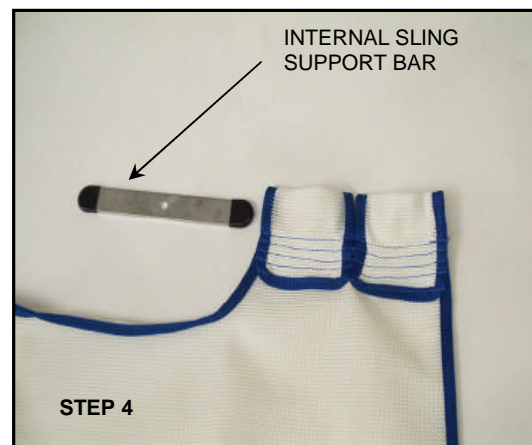


STEP 3:

Install lift into previously installed anchor socket in the pool deck. Make sure that the mast is seated at the bottom of the anchor. Check to ensure easy rotation of the lift in nylon-lined anchor sleeve.

STEP 4:

Locate the four (4) internal sling support bars and insert them into the sewn pockets in the mesh sling.



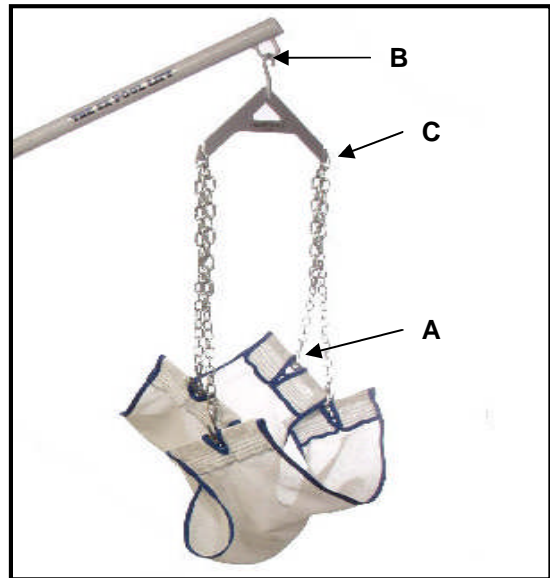
STEP 5:

Locate the chain assembly and insert each “S” hook into the holes in the sling support bars (A).

Attach the hanger to the boom eye on the lift (B).

Attach the chain links to the hanger (C) so that the sling is at the appropriate height to allow the user easy access and so that the sling will clear your pool wall (if applicable).

Assembly is complete. Prior to lifting any persons in the lift, it is highly recommended that the lift is operated at least once without a load to check for proper functioning and that the instructions for operating the lift be read and incorporated into a training program for the persons who will be operating the lift.



OPERATING INSTRUCTIONS –EZ POOL LIFT™

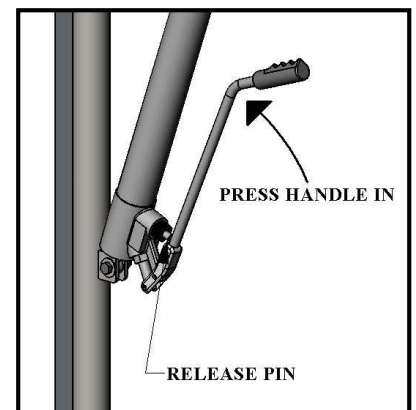
NOTE:

- FOR SAFETY, CHECK FOR WORN PARTS AND LOOSE BOLT CONNECTIONS PRIOR TO EACH USE.
- ALL OPERATORS SHOULD BE FAMILIAR WITH ALL LIFT COMPONENTS AND THEIR INTENDED USES.
- OPERATORS SHOULD ALSO BE COMFORTABLE WITH ALL LIFTING PROCEDURES BEFORE ATTEMPTING TO LIFT A PERSON WITH THE LIFT.

The EZ Pool Lift™ was not designed to be a self-operable unit and as such requires the use of an operator to assist the lift user with the transfer into and out of the pool.

There are two methods of loading the lift user into the harness. The method of loading will depend on the physical ability of the lift user. If the user has very limited use of his upper body, it will be necessary to follow the procedure as outlined below. If the user is physically able, he can simply place himself into the harness without need for assistance. However, once in the harness, it will still be necessary for an operator to assist with the transfer into or out of the pool.

- With the lift in the up position and the boom arm located over the deck, roll the user under the lift and engage the brakes on the wheelchair.
- With the user facing the assistant, place the mesh seat sling under the seated user while still in the wheelchair.
- Attach the chain to the mesh sling and the overhead hanger bar. There should not be any slack in the chain at this time.
- Make sure all chain connections are secure and the mesh seat sling is level on each side.
- Raise the user by pumping the hydraulic ram handle until the desired height is achieved. The user should just clear the wheelchair. Move the wheelchair out of the way if needed.
- Rotate the lift so that the user is above the pool, keeping one hand on the boom and one hand on the user to stabilize them.
- Lower the user into the water by pressing the handle towards the ram until it depresses the release pin. The hydraulic ram automatically controls the rate of descent for safety and control.
- This procedure is repeated to remove a user from the water.
- When the lift is not in use, remove the sling, hanger bar and mast from the anchor socket and replace the protective anchor cap.



SAFETY AND MAINTENANCE INSTRUCTIONS

- Do not play on or around this lift
- Check the EZ Pool LIFT™ before each use to assure there are no worn parts and that all hardware is properly tightened. If there are any worn parts, replace them BEFORE using the EZ Pool Lift™. You can call our customer service at 1-888-687-3552 to order any parts.
- Aqua Creek Products, LLC lifts shall be grounded per local codes.
- At least ONCE A WEEK, the EZ Pool Lift™ must be cleaned with fresh water.
- Wipe all surfaces clean with a damp, non-abrasive cloth. When cleaning the EZ Pool Lift™, use non-abrasive soap and water. Avoid harsh chemicals and disinfectants.
- Always read the label instructions on any cleaner carefully before applying it to a surface.
- The WARNING & INTENDED USE labels on the EZ Pool Lift™ need to be maintained in readable fashion. If they become unreadable or faded, please replace the label immediately. Replacement labels are available from AQUA CREEK PRODUCTS LLC. 1-888-687-3552.

CARE OF YOUR LIFT

Routine cleaning is an absolute necessity to ensure the integrity of the lift. Note that the Aqua Creek Pool Lift should not be stored in a pump room or in a storage room where pool chemicals are kept. Storing the lift near pool chemicals may cause rusting and other damage to occur. Your Aqua Creek stainless steel lift is powder coated to protect the stainless steel from rusting. Most rusting will occur at weld points, crevices, under gaskets, rivets or bolt heads.

The choice of a proper cleaning product is up to the consumer and there are many to choose from. Depending on the type of cleaning and the degree of contamination (rusting), some products are better than others. For routine cleaning the products most recommended are gentle soaps or detergents or dilute mixtures of ammonia. For stubborn spots and stains try using soft scrub with some brisk rubbing.

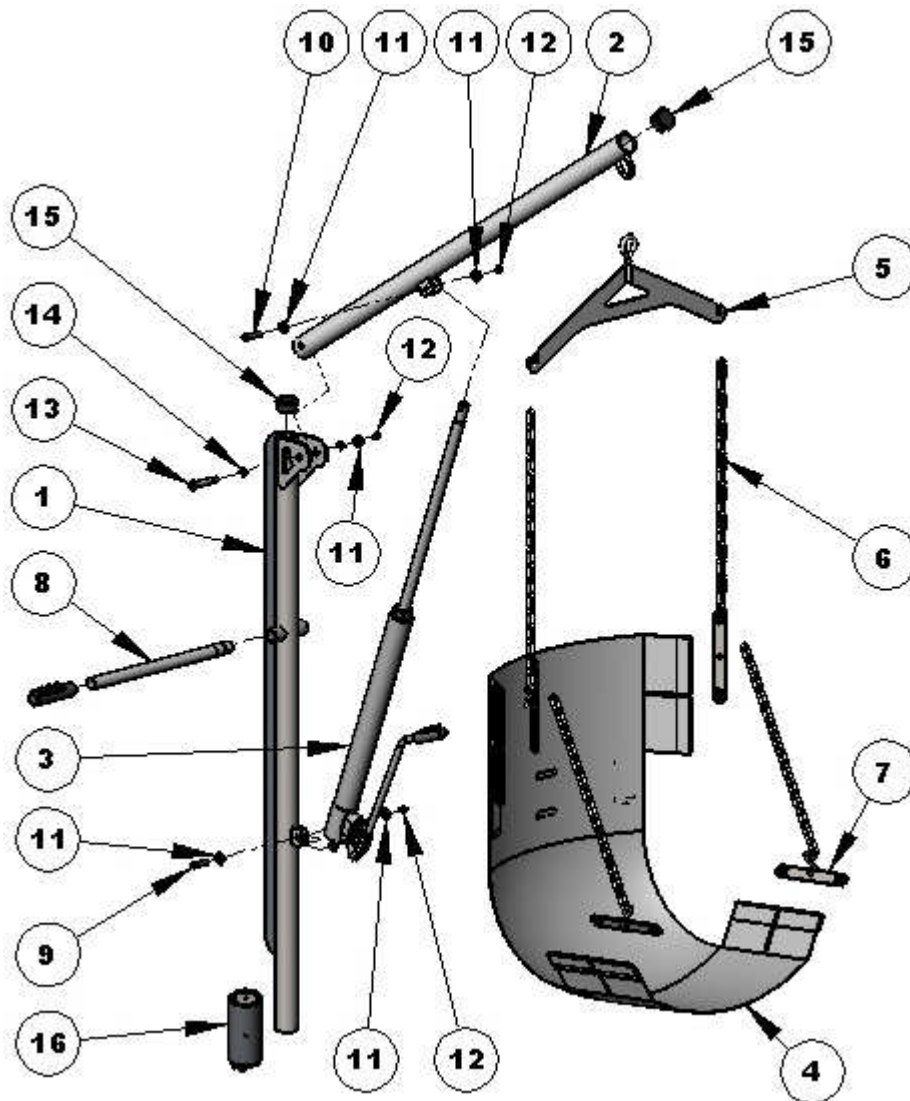
DO NOT USE POOL WATER TO CLEAN USE ONLY FRESH WATER

If the lift is used **DAILY** make sure to wash the lift at the end of the day. Wash the lift off using a mild soap and a soft cloth. Make sure to pay special attention to weld points and crevices. Do not use a bristled brush or steel wool to clean the lift. Check that the lift is working properly and then place the battery on the charger. It is recommended that the battery be charged after every day of use.

If the lift is used **WEEKLY** follow the same steps as above. Also be sure to check all of the contact points (terminals) for damage or corrosion. If you notice corrosion gently clean the terminals. To clean corrosion from the terminals use a q-tip and some rubbing alcohol. If the corrosion is particularly stubborn try using a 3M scotch brite pad, but be careful not to damage the terminals. Apply dielectric grease to the terminals after cleaning them. This will help to prevent further corrosion. Do not leave the battery on the lift. Always store the battery on the charger whenever the lift is not being used.

If the lift is used **MONTHLY** follow the same steps as above. Also check the nuts and bolts to make sure they are securely fastened (this is always a good idea, no matter how often or infrequently the lift is used). Also make sure to store the battery on the charger and not on the lift. Leaving the battery on the lift for extended periods will significantly shorten the battery's lifespan.

If the lift is being **STORED** for an extended period of time follow all of the steps above. Check for rusting at all crevice and weld points. If you notice rusting, apply some mild dish detergent to the affected area and take a 3M scotch brite pad and rub briskly. Afterwards, be sure to rinse the lift with clean water NOT pool water. When storing the lift make sure it is in a dry area and covered. **DO NOT STORE** in or around pool chemicals. Be sure to store the hydraulic ram in an upright, vertical position to prevent leaking fluid.



EZ LIFT – PARTS LIST

| ITEM # | QTY | PART NUMBER | DESCRIPTION |
|--------|-----|----------------------------|----------------------------------|
| 1 | 1 | EZWM-0804EZMA | EZ MAST WELDMENT |
| 2 | 1 | EZWM-0804EZBA | EZ BOOM WELDMENT |
| 3 | 1 | F-03EZCYL | HYDRAULIC ACTUATOR, EZ |
| 4 | 1 | F-034EVS | SLING, ADULT STD. (38 X 20) |
| 5 | 1 | F-038EZHB | EZ LIFT HANGER BAR |
| 6 | 1 | F-031EZCH | EZ LIFT CHAIN SET |
| 7 | 1 | F-032EZB | EZ POOL LIFT SLING BARS |
| 8 | 1 | A-0808EZTB | EZ TURN-BAR ASSEMBLY |
| 9 | 1 | BOLT, 3/8 X 1 1/2 HCS | 3/8"-16 X 1-1/2" HEX BOLT, SS |
| 10 | 1 | BOLT, 3/8 X 1 3/4 HCS | 3/8"-16 X 1-3/4" HEX BOLT, SS |
| 11 | 5 | FLAT WASHER, 3/8 SS | 3/8" FLAT WASHER, SS |
| 12 | 3 | NYLOCK, 3/8 SS | 3/8"-16 NYLOCK NUT, SS |
| 13 | 1 | BOLT, 1/2 X 2 1/4 SHOULDER | 1/2" X 2-1/4" SHOULDER BLT, SS |
| 14 | 2 | SS-1620-3 | 1/2" X 5/8" X 3/16" SLV BRNG, BZ |
| 15 | 2 | CCF-13/4-14-20 | ROUND PLASTIC CAP |
| 16 | 1 | F-033EZA | EZ ANCHOR ASSY |

Aqua Creek Products, LLC Limited Lifetime Warranty:
EZ™ POOL LIFT

Aqua Creek Products lifts have a **Limited Lifetime Warranty** on the frames, not including the powder coat finish. Aqua Creek Products, LLC (a.k.a. Aqua Creek) also warrants to the original end user that all non-frame components manufactured by Aqua Creek, when properly installed in accordance with assembly and installation instructions, and properly used and maintained, shall be free from defects in material and workmanship for a period of five (5) years from the date of original purchase, provided that Aqua Creek receives prompt notice in writing of any defect or failure and satisfactory proof thereof, with the following exceptions:

Exception:

Hydraulic actuators and mesh slings shall have a warranty period of one (1) year from the date of original purchase.

This warranty specifically excludes reimbursement for labor to remove, repair, or install the product and any return freight charges. These warranties do not cover any damages due to accident, misuse, abuse, negligence or failure to properly maintain any products, or normal wear and tear from day to day operations. In the event that any products are altered, repaired, or improperly installed or improperly used by anyone without the prior written approval by Aqua Creek, all warranties are void. **IMPORTANT: AMOUNT OF WEIGHT PLACED ON LIFT SHALL NOT EXCEED THE RATED LIFTING CAPACITY FOR THE LIFT. NEVER OPERATE THE LIFT UNDER LOAD IN A DRY POOL (WITH NO WATER IN THE POOL).** It is the responsibility of the lift owner to verify the weight of the patron for warranty claim purposes and to ensure that the lift is not overloaded.

To initiate a warranty claim, the owner of an Aqua Creek product must provide the place of purchase, in writing, with a full description of the product, its serial number, the dates of purchase and installation, and the exact nature of the defect. Within thirty (30) days after receipt of a written warranty claim by Aqua Creek, and barring any unforeseen delays, the place of purchase will be notified of Aqua Creek's decision regarding the claim.

If requested by Aqua Creek, any defective product must be returned, freight prepaid, to Aqua Creek's designated factory location or duly appointed distributor for inspection and/or repair. Aqua Creek will, at its option, repair or replace the failed or defective item, and deliver the repaired product or replacement to the buyer of the product, freight prepaid to the destination provided for in the original order. Products returned to Aqua Creek for which Aqua Creek provides replacement under this limited warranty shall become the property of Aqua Creek. A new warranty period shall **NOT** be established for the repaired or replaced products. Such products shall remain under warranty only for the remainder of the original warranty period on the original products purchased.

This written limited warranty constitutes the final, complete and exclusive statement of warranty terms. No person or organization is authorized to make any other specific or implied warranties or representations on behalf of Aqua Creek.

THE WARRANTIES SET FORTH HEREIN ARE IN LIEU OF ALL OTHER WARRANTIES, EXPRESSED OR IMPLIED, WHICH ARE HEREBY DISCLAIMED AND EXCLUDED, INCLUDING WITHOUT LIMITATION ANY WARRANTY OF MERCHANTABILITY OR FITNESS FOR A PARTICULAR PURPOSE OR USE.

THE SOLE AND EXCLUSIVE REMEDIES FOR BREACH OF ANY AND ALL WARRANTIES WITH RESPECT TO THE PRODUCTS SHALL BE LIMITED TO REPAIR OR REPLACEMENT AT AQUA CREEK'S DESIGNATED FACTORY LOCATION, OR DULY APPOINTED DISTRIBUTOR, OR IN PLACE AT AQUA CREEK'S OPTION. IN NO EVENT SHALL AQUA CREEK'S LIABILITY EXCEED THE ENTIRE AMOUNT PAID TO AQUA CREEK BY THE ORIGINAL PURCHASER FOR THE FAILED OR DEFECTIVE PRODUCT.

IN NO EVENT SHALL AQUA CREEK PRODUCTS, LLC BE LIABLE FOR ANY INCIDENTAL, CONSEQUENTIAL, SPECIAL, INDIRECT, PUNITIVE OR EXEMPLARY DAMAGES OR LOST PROFITS FROM ANY BREACH OF THIS LIMITED WARRANTY OR OTHERWISE.

THIS WARRANTY GIVES YOU SPECIFIC LEGAL RIGHTS AND YOU MAY ALSO HAVE OTHER RIGHTS, WHICH MAY VARY FROM STATE TO STATE. SOME STATES DO NOT ALLOW THE EXCLUSION OR LIMITATION OF INCIDENTAL, SPECIAL OR CONSEQUENTIAL DAMAGES, SO SOME OF THE ABOVE LIMITATIONS OR EXCLUSIONS MAY NOT APPLY TO YOU.

Aqua Creek Products, LLC
9889 Garrymore Lane
Missoula, MT 59808
Toll Free: (888) 687-3552
Local/Intnl: (406) 549-0769
www.aquacreek.com