



Mighty Lite™

PARTS MANUAL

JANUARY 2020

KID-KART MIGHTY LITE	3
GLOSSARY OF ABBREVIATIONS	3
LOCKOUT MECHANISM	4
FOAM HANDLE GRIPS	5
SEAT & BACK W/ HDWR	6
HEADREST EXTENSION	7
HEADREST TUBE	8
FORK & CASTER ASSM	9
WHEEL LOCK ASSM.....	10
REAR WHEEL ASSM	11
FOOTRESTS	12
TRANSIT KIT	13
FASTENER KIT.....	14
HARNES	15
SUPPORT	16
TRUNK SUPPORT.....	17
SUPPORT TRAY	18
RETENTION STRAP.....	19
ACCESSORIES	20

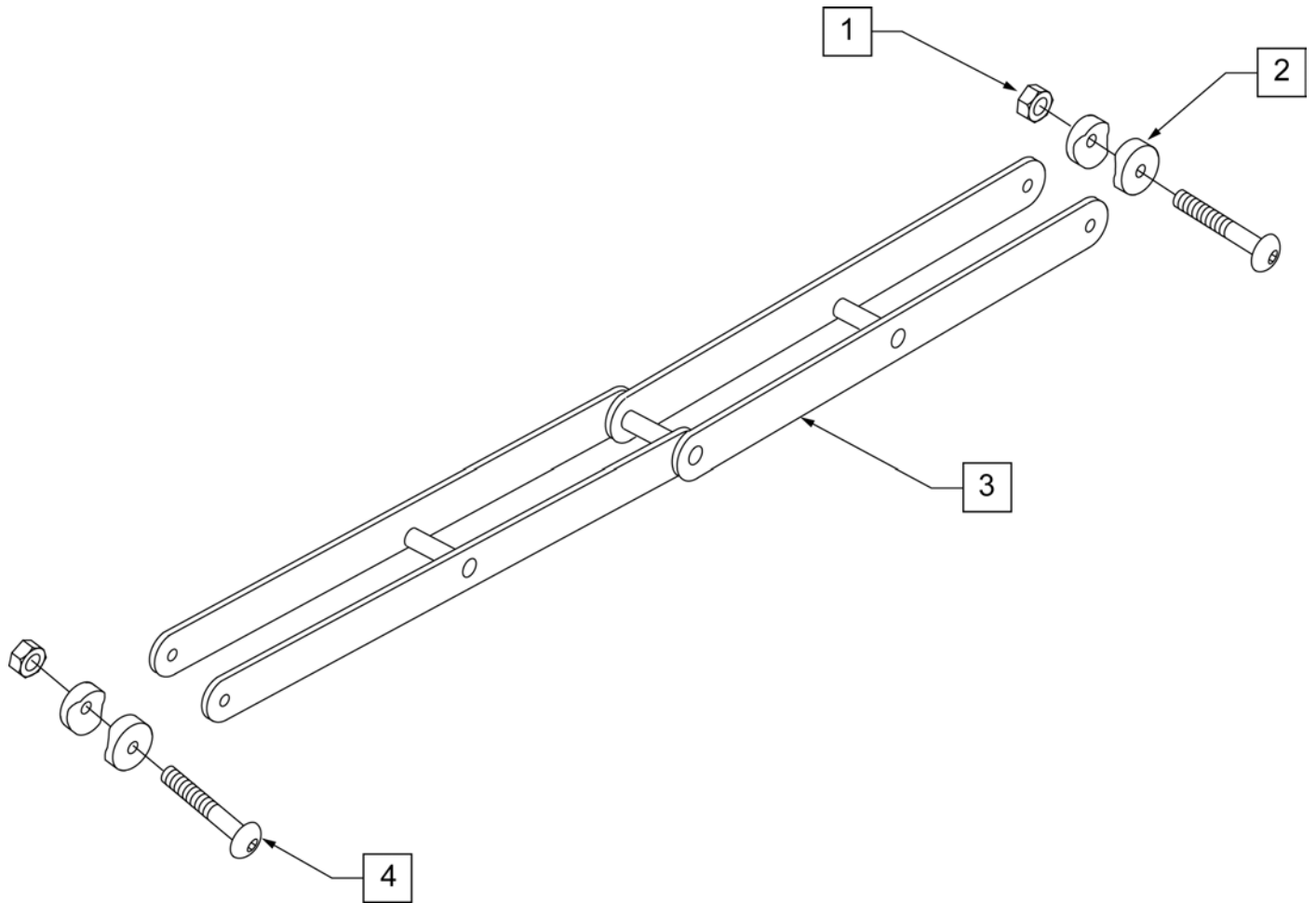
GLOSSARY OF ABBREVIATIONS

[12/10/2019]

Note: see Informations Panel for file.

1AD One Arm Drive	CZ Cozy	INH Inhibit	PCB Pediatric Center of Gravity (AKA: Zippie Iris)	S/A Swing Away
3DCR 3DX Microclimatic cover for Cryo style inserts	DAB Depth-adjustable Back	INORG Inorganic coating	PCM Power Center Mount	S/F Side Frame
AAA Adult Angle Adjustable	DB Dynamic Back	INSRT Insert	PED Pediatric	SCW Screw
AACM Angle Adjustable Center Mount	DBL Double	I/O Swing In Out	PEL Pelvic	SDLE Saddle
ABD Abductor	DC Deep Contour	IRIS Intelligent Rotation in Space	PH Push Handle	SG Side Guard
AC All Court	DL Desk Length	ISM Intelligent Seating Module	PHIL Phillips	SGTG Super Grip Thumb Guard
AD Arm Drive	DP Dual Post Armrest	JA Jay Active	P/L Pin Lock	SHCS Socket Head Cap Screw
ADJ Adjustable	D-Post Dual Post Armrest	JNR Junior	PL Plated	SHLDR Shoulder
ADPT Adapter	D-PST Dual Post Armrest	KAA Kids Angle Adjustable	PLL Pull	SHT Short
AE Air Exchange	DRV Drive	KDS Kids	PLT Plate	SLD Solid
AHAB ASAP II	DTT Diagnostic Test Tool	KT Kit (usually consists of all mounting hardware for one side)	PLST Plastic	SLNG Sling
ANG Angle	DY Dynamic Back	KVLR Kevlar	PLY Plywood	SLTD Slotted
ALR Articulating Legrest	EA Each	KZ Quickie Kidz/Zippie Kidz	PNEU Pneumatic	SLV Steeve
ALUM Aluminum	ELR Elevating Legrest	L Left	PNK Pink	SM Small
AMH Adjustable Mounting Hardware	EXT Extension	LAT Lateral	PNT Paint	SNGL Single
ANO Anodized	EXTND Extended	LCK Lock	PNTD Painted	SOC Socket
ASAP Adjustable Seating and Positioning	F Folding Frame	LFH Left Front Horizontal	POLY Polyurethane	SPCR Spacer
ASL Adaptive Switch Laboratories	FHCS Flat Head Cap Screw	LFT Left	POST Posterior	SPEC CLR Specify Color
ASM Assembly (includes other parts)	FL Full Length	LFV Left Front Vertical	PR Pressure Relieving	SFHA Single Post Height Adjustable
ASSM Assembly	FLD Folding	LH Left Hand	PR Power Recline	SPK Spoke
ASSMLY Assembly	FL FT Flip-up Footrest	LH Left Horizontal	PR Pair	SPR Super Grip Handrim
ASSY Assembly	FLP Flip	LK Lock	(PR) Pair	SQZ Squeeze
AT Anti-tip	FLRD Flared	LNG Long	PRCR Premium Leatherette cover for Cryo style inserts	SS Stainless Steel
ATT Attachment	FM Foam	LO Lift Off	PRE-ISC Pre-Ischial	ST Seat
BB Basketball	FM Front Mount	L/O Lift Off	PREM Premium Leatherette cover material	S/TAP Self Tapping
BC Breezy Chrome	FNDR Fender	L Loop	PROJ Projection	STCR Stretch Cover for Cryo Style inserts
BCK Back	FPH Folding Push Handle	LPS Loops	PRPL Purple	STD Standard
BCKBRD Backboard	FT Foot	LRG Large	PTL Partial	STL Style
BH Button Head	F/REST Footrest	LRH Left Rear Horizontal	PSH Push	STR Stretch cover material
BHCS Button Head Cap Screw	FRNT Front	LRV Left Rear Vertical	PT Point	STRLLR Stroller
BKL Buckle	FT PLT Footplate	LS Low Sheer	PTRN Pattern	STRT Straight
BKRST Backrest	FTRST Footrest	LT Long Tab	PWR Power	SUP Support
B-LOCK Back Lock	F/UP Flip-up	LT Natural Fit Lite Handrims	Q1 Quickie 1	SYS System
BLD Build Up	FWD Front Wheel Drive	LTRL Lateral	Q2 Quickie 2	T Tab
BLK Black	FXT Fixed	LUMB Lumbar	Q2HP Quickie 2 High Performance	TG Thumb Guard (std)
BLU Blue	G8 Grade 8 higher grade = stronger	LV Left Vertical	QC Quickie Carbon	THRD Threaded
BR Breezy	GP Quickie GP	LW Low	QR Quick Release	Ti Titanium
BRD Board	GPS Quickie GPS	LX Quickie LX	QRx Quickie RX	TL Tall
BRNG Bearing	GPV Quickie GPV	LXI Quickie LXi	QTI Quickie Titanium	TLC Tilt Lift Comb
BRKT Bracket	GNRC Generic	MACH Machine	QT/QTs Quickie Tilt & Space	TLT Tilt
BSHNG Bushing	H Hole	MECH Mechanism	QUAD Quadrant Pad	TNNS Tennis
BTTN Button	HB High Brake	MED Medium	R Right	TTS Tilt-in-Space
BTRY Battery	HD Head or Heavy Duty	mm Millimeter	RCLNR Recliner	TTV Tilt-in-Space
BZ Breezy	H/D Heavy Duty	MNT Mount	REC Receiver	UNIV Universal
CAA Composite Angle Adjustable	HDRST Headrest	MNTG Mounting	REG Regular	UNTHRD Unthreaded
CG Center of Gravity	HDWR Hardware	MOD Modify or Modification	REL Release	UPH Upholstery
CGT Center of Gravity Tilt (AKA: IRIS)	HEX Hexagon	M/S Machine Screw	REV Reverse	VERT Vertical
CHRGR Charger	HH Hemi-Height or Hex Head	MWD Mid Wheel Drive	RH Right Hand	W With
CJSM Color Joystick Module	HK Hook	Nat.Fit Natural Fit Handrim	RH Right Horizontal	W/ With
CLMP Clamp	HL Heel Loops	NAUG Naugahyde	RFH Right Front Horizontal	W/F Water Fall
CLNCHR Clincher	HM High Mount	NF Non-folding	RFV Right Front Vertical	W/O Without
CLR Clear	HNDL Handle	NF Natural Fit Handrim	RNUT(S) Rivnut(s)	WHL Wheel
COMP Complete	HNGR Hanger	NFLT Natural Fit Lite Handrim	RoHS Restriction of Hazardous Substances	WLDMNT Weldment
CMPST Composite	HP High Pressure	NR Non-recessed	RR Rear	XS Cross Spoke
CRM Chrome	HR Handrim	OBLIQ Obliquity	RRH Right Rear Horizontal	YLW Yellow
C/S Cap Screw	HRDWR Hardware	OBLQ Oblique	RRV Right Rear Vertical	Z2 Zippie 2
C-S Countersunk	HRNSS Harness	OD Outer/Outside Dimension	RT Right	ZN Zinc
CSTR Caster	HS High Speed	O/S Old Style	RV Right Vertical	ZP Zippie
CUSH Cushion	HT Height or Heat Treated	OUTBRD Outboard	RV Quickie Revolution	ZP2 Zippie 2
CV Conventional	ID Inner/Inside Dimension Diameter	P1 Quickie P100	RWD Rear Wheel Drive	
CVR Cover	IN In/Out (for swing in/out hangers)	P2 Quickie P200	SA Swing Away	
CVRS Covers	INBRD Inboard	P3 Quickie P300		
CYL Cylinder	INC Incontinent	P5 Quickie/Zippie P500		

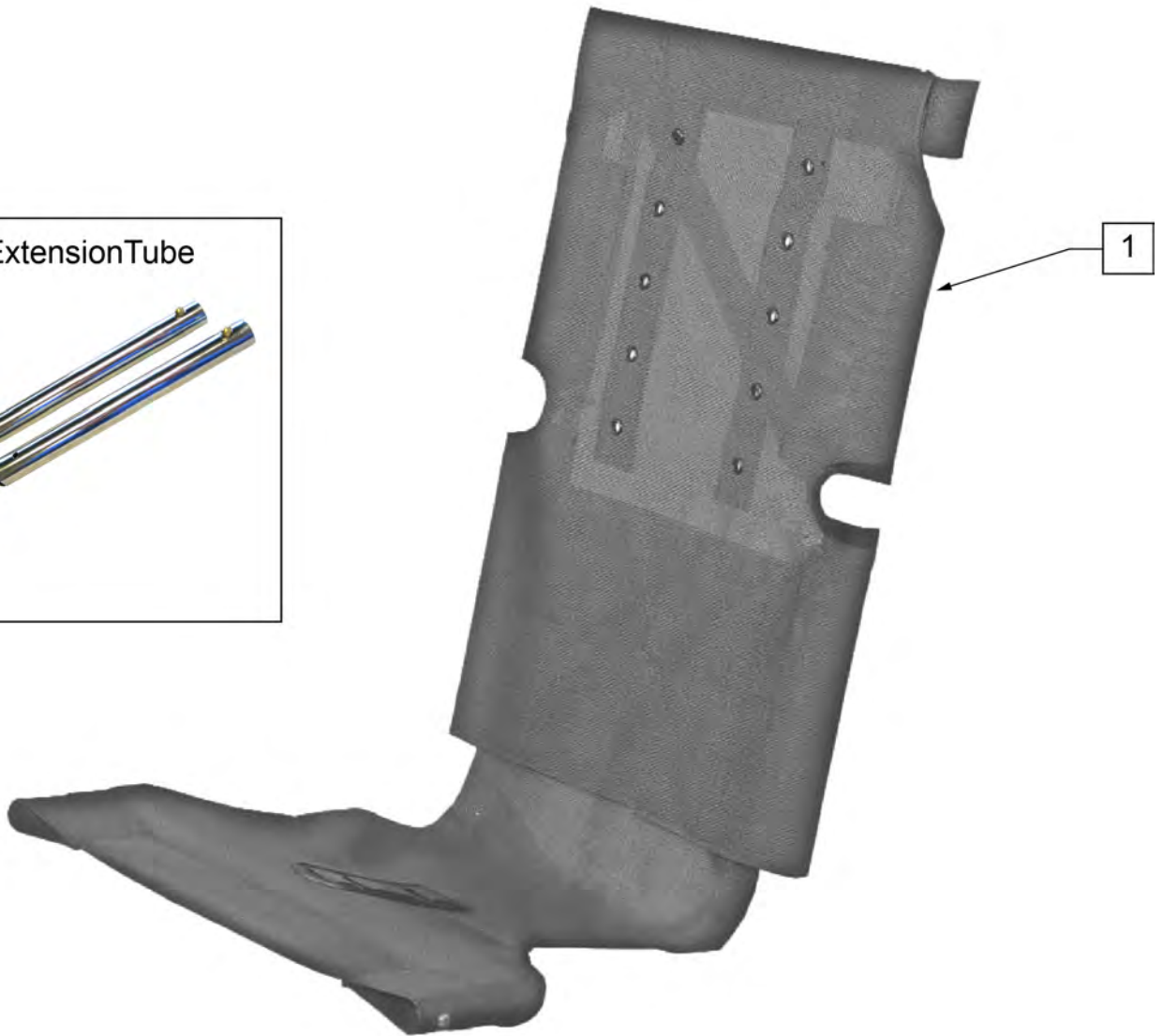
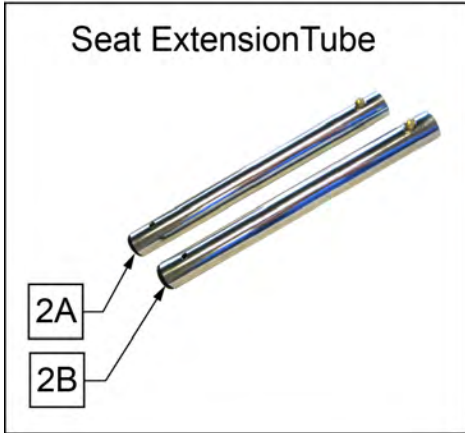
Pos.	Item Number	Description	Remarks
		GLOSSARY OF ABBREVIATIONS	see attachment in Informations Panel



Pos.	Item Number	Description
1-4	MBS10101	FOLDING LOCKOUT MECHANISM 12"
1-4	MBS10111	FOLDING LOCKOUT MECHANISM 14"
1-4	MBS10121	FOLDING LOCKOUT MECHANISM 16"
1-4	MBS10131	FOLDING LOCKOUT MECHANISM 18"



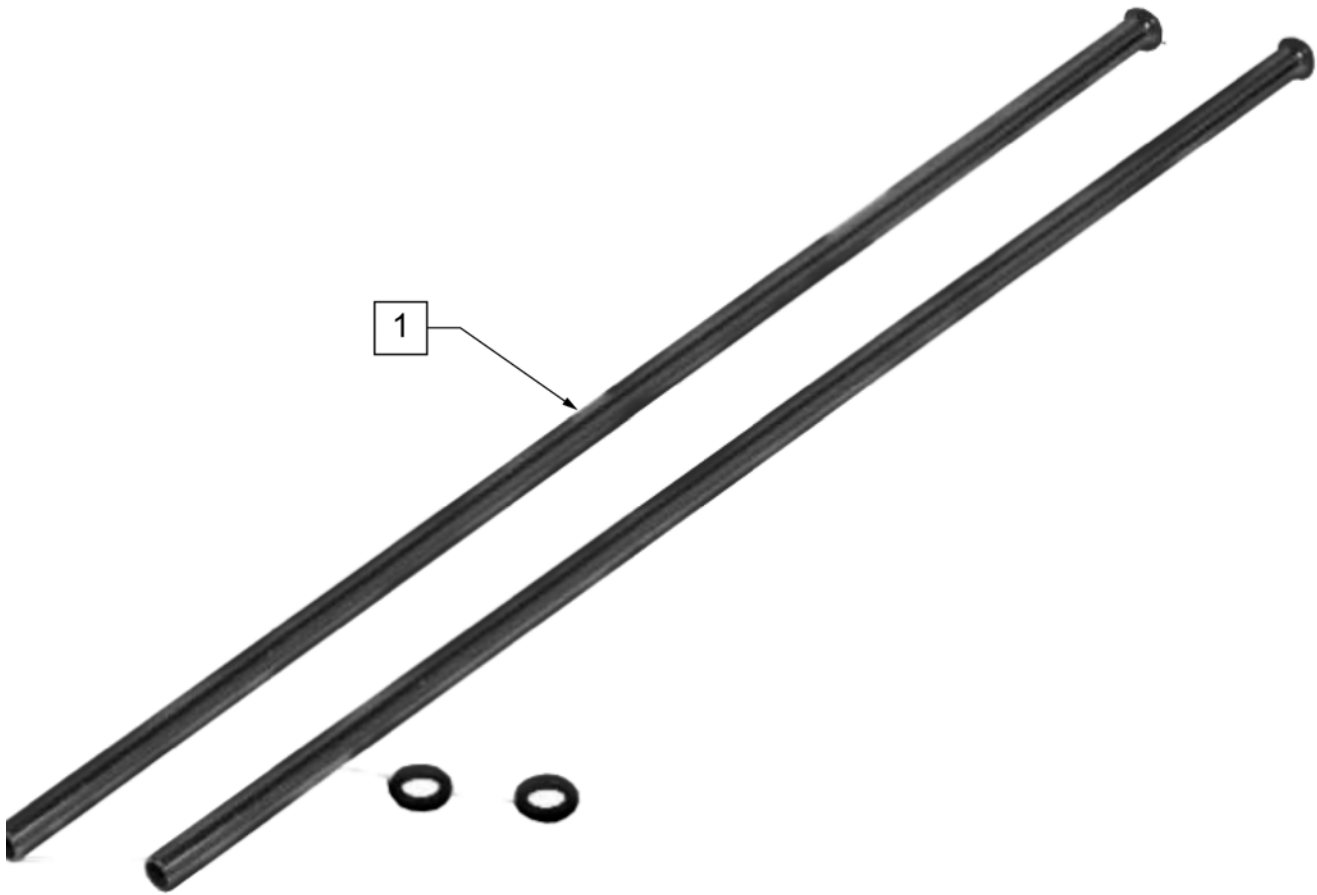
Pos.	Item Number	Description	Remarks
1	MBS10001	PUSH HANDLE FOAM GRIP	PAIR



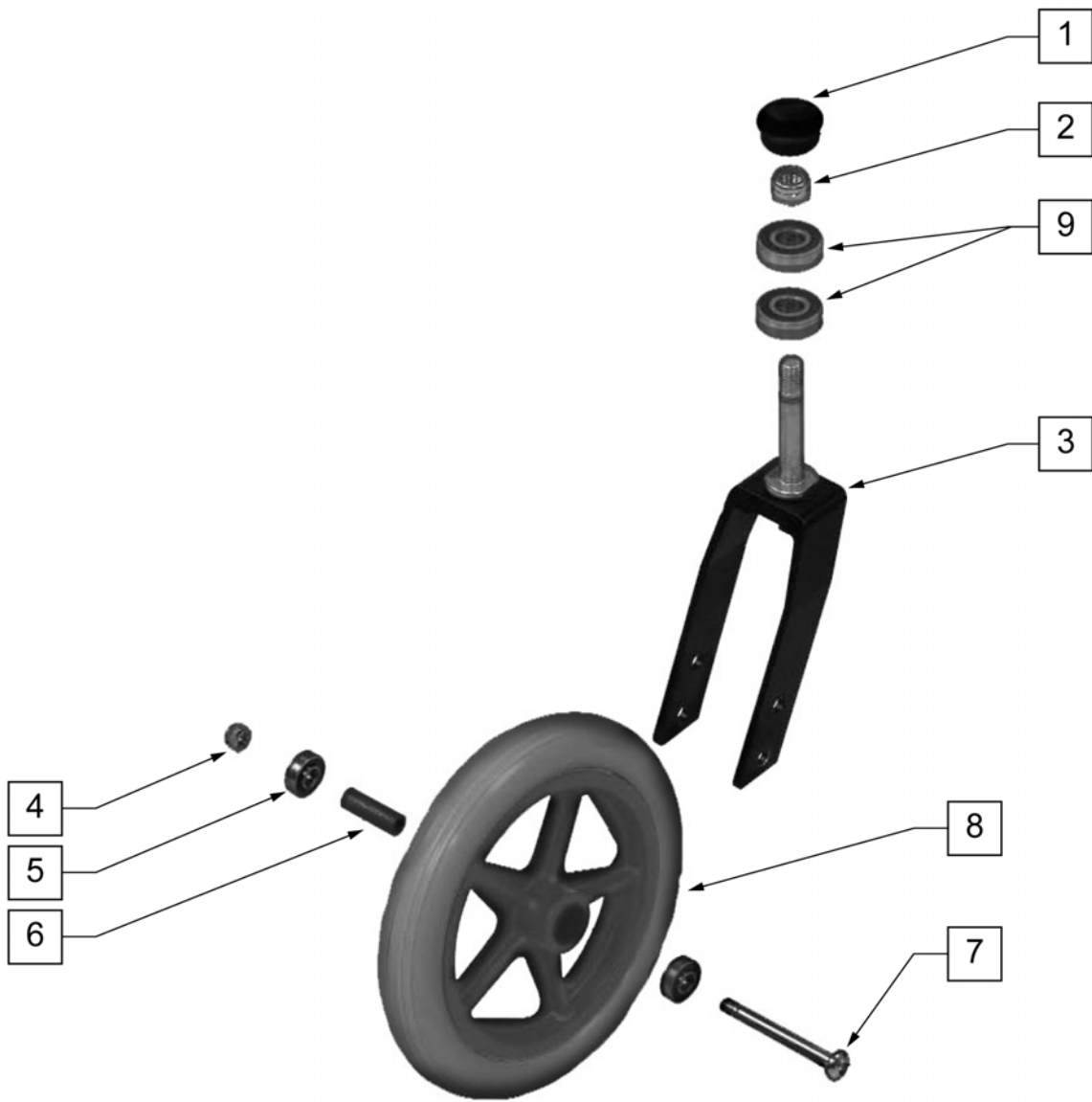
Pos.	Item Number	Description	Remarks
1	MBS20001	SEAT & BACK 12" NVY W/ HARDWARE	Includes hardware
1	MBS20003	SEAT & BACK 14" NVY W/ HARDWARE	Includes hardware
1	MBS20005	SEAT & BACK 16" NVY W/ HARDWARE	Includes hardware
1	MBS20007	SEAT & BACK 18" NVY W/ HARDWARE	Includes hardware
1	MBS20009	SEAT & BACK 12" RAS W/ HARDWARE	Includes hardware
1	MBS20011	SEAT & BACK 14" RAS W/ HARDWARE	Includes hardware
1	MBS20013	SEAT & BACK 16" RAS W/ HARDWARE	Includes hardware
1	MBS20015	SEAT & BACK 18" RAS W/ HARDWARE	Includes hardware
2A	BS20021	SEAT EXTENSION TUBE SHORT	
2B	BS20020	SEAT EXTENSION TUBE LONG	



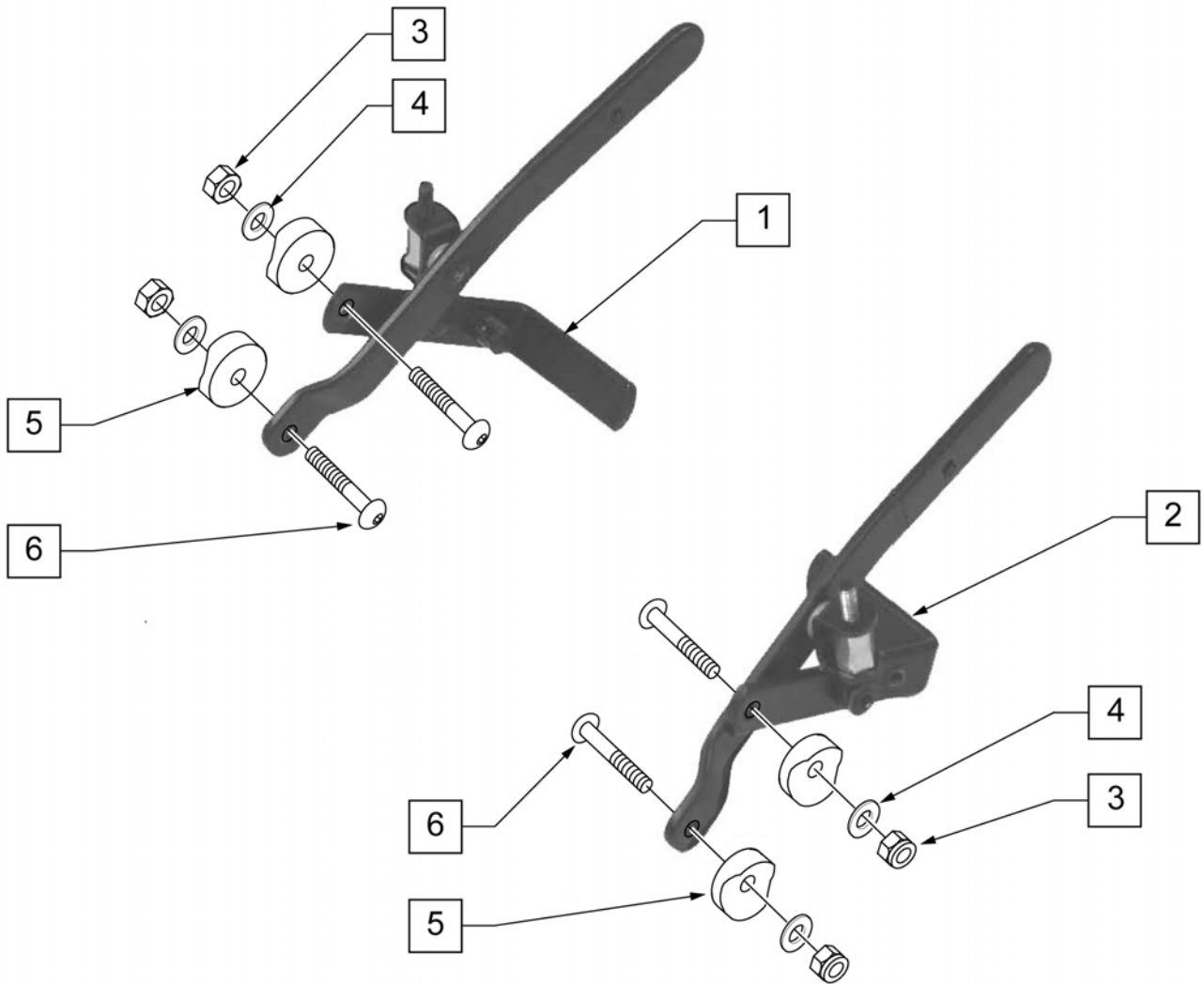
Pos.	Item Number	Description
1	MBSHEADREST	HEADREST EXTENSION BLACK



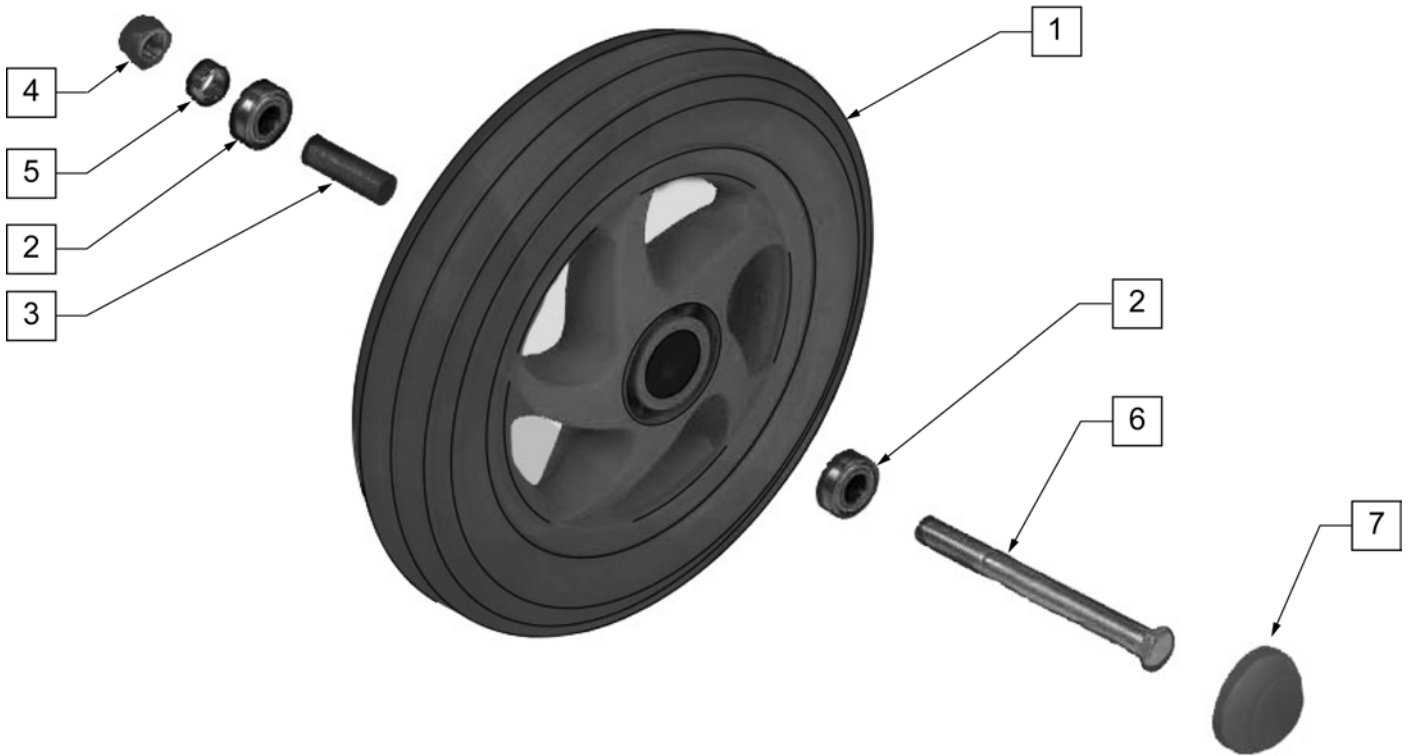
Pos.	Item Number	Description	Remarks
1	MBS13001	SEAT SLING TUBE W O-RING	includes 1 tube and O-ring



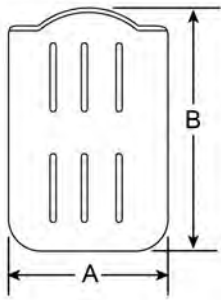
Pos.	Item Number	Description	Remarks
1-3	MBS50001	FORK ASSEMBLY W/HARDWARE	
4,7	MBS80002	CASTER AXLE ASM W/HARDWARE	
5,6,8	MBS70001	8" SOLID CASTER W/BEARINGS	
9	MBS60001	CASTER STEM BEARING	PAIR



Pos.	Item Number	Description	Remarks
1,3-6	MBS90002	WHEEL LOCK ASM RT W/ HARDWARE	Right
2-6	MBS90001	WHEEL LOCK ASM LEFT W/ HARDWARE	Left

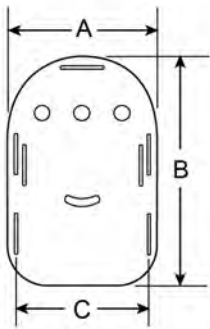


Pos.	Item Number	Description
1-3	MBS70002	10" SOLID CASTER W/ BEARINGS
4-7	MBS80001	WHEEL AXLE ASM W/ HARDWARE



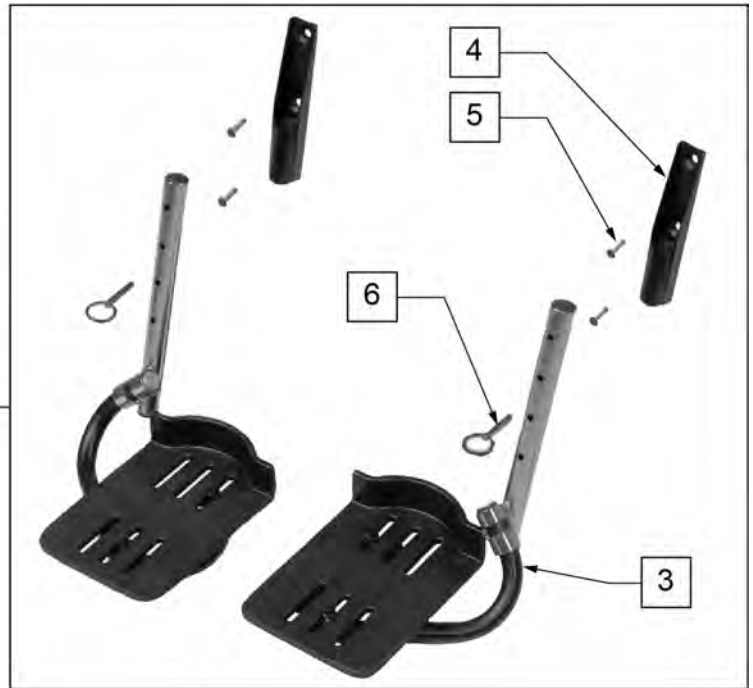
FOOTREST MEASURING GUIDE

	DIM A	DIM B
12"-14"	5.5	7.86
16"-18"	7.5	9.35

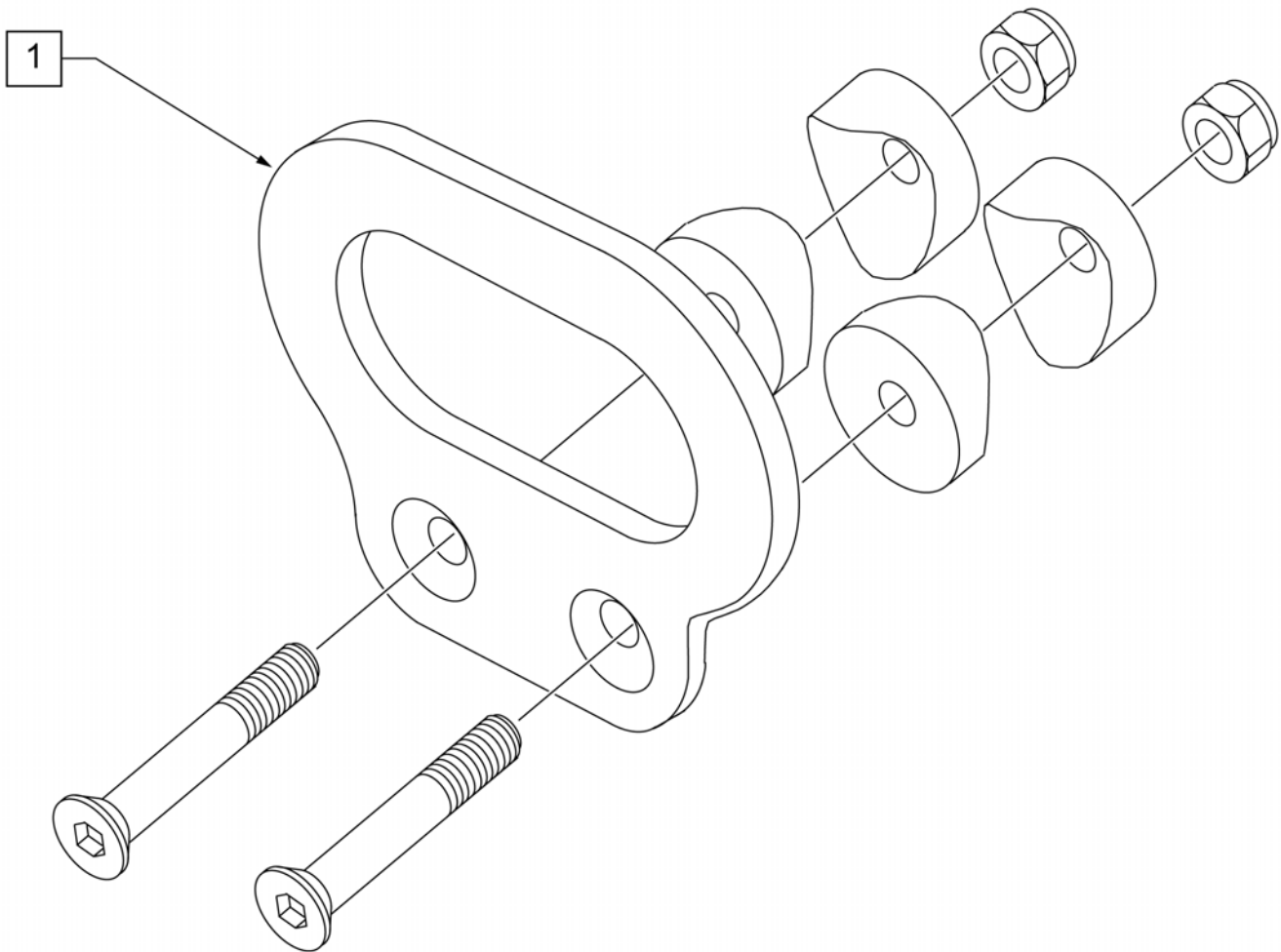


FOOT POSITIONER MEASURING GUIDE





	DIM A	DIM B	DIM C	ANKLE CIRCUMFERENCE
SMALL	5	7.75	4.5	6.5 to 9
MED	5	7.75	4.5	8 to 10.5
LARGE	6	9.75	5.5	9.5 to 12
X-LARGE	6.5	10.75	6	11 to 13.5



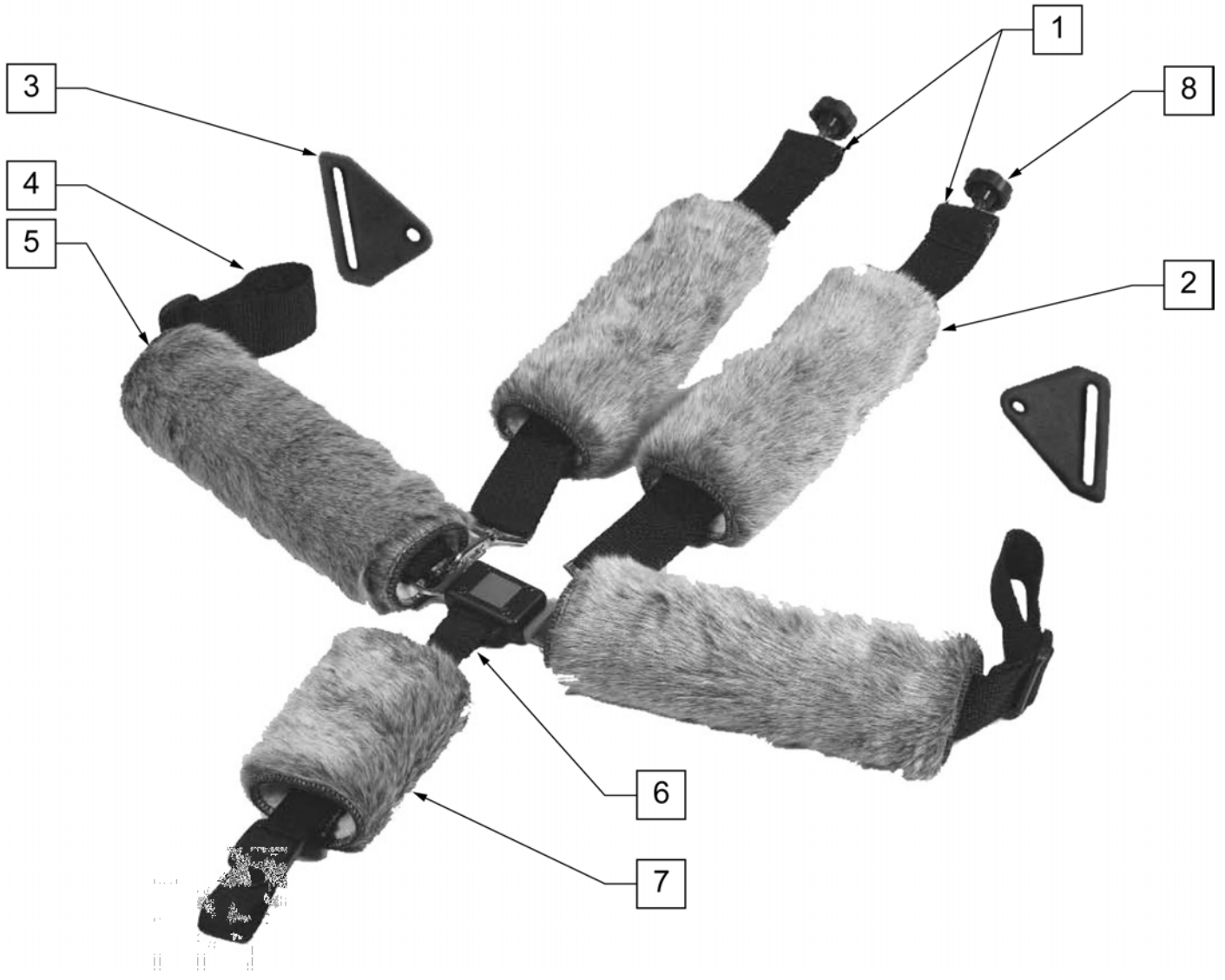
Pos.	Item Number	Description	Remarks
1	ML32200-24	12"-14" ANGLE ADJ FOOTREST PR	Small Footplate
1	ML32200-68	16"-18" ANGLE ADJ FOOTREST	Large Footplate
2	ML32100-S	SMALL FOOT POSITIONER	
2	ML32100-M	MEDIUM FOOT POSITIONER	
2	ML32100-L	LARGE FOOT POSITIONER	
2	ML32100-XL	EXTRA LARGE FOOT POSITIONER	
3-6	MBS40001	FOOTREST ASM LFT LARGE	
3-6	MBS40002	FOOTREST ASM RIGHT LARGE	
3-6	MBS40011	FOOTREST ASM LFT SMALL	
3-6	MBS40012	FOOTREST ASM RIGHT SMALL	
4,5	MBS40003	FOOTREST RECEIVER W/FASTNERS	
6	BS40004S	LOCKING PIN	Includes 2 Locking Pins
7	MBS40000	FOOTPLATE LARGE	Plate only
7	MBS40010	FOOTPLATE SMALL	Plate only



Pos.	Item Number	Description	Remarks
1	MBSTRANSKIT	TRANSIT KIT	Set of 4

ITEM	DESCRIPTION	QTY
	LOWER UPHOLSTERY FASTENER AND SADDLE	2
	UPPER UPHOLSTERY FASTENER AND SADDLE	4
	SHCS m6 X 1 X 38mm , SADDLE, FLAT WASHER AND NYLOCK NUT	2
	BHCS m8 X 1.25 X 38mm , FLAT WASHER AND NYLOCK NUT	2
	BHCS m6 X 1 X 40mm , FLAT WASHER AND NYLOCK NUT	2
	BHCS m8 X 1.25 X 66mm , FLAT WASHER AND NYLOCK NUT	2
	BHCS m8 X 1.25 X 66mm , SADDLE, FLAT WASHER AND NYLOCK NUT	1
	BHCS m8 X 1.25 X 90mm , SPRING, FLAT WASHER AND NYLOCK NUT	1
	BHCS m6 X 1 X 38mm , SADDLE, FLAT WASHER AND NYLOCK NUT	2
	BHCS m8 X 1.25 X 45mm , SADDLE, FLAT WASHER AND NYLOCK NUT	4

Pos.	Item Number	Remarks
	MBS10102	KIT INCLUDES ALL COMPONENTS LISTED ABOVE



Pos.	Item Number	Description	Remarks
1,2	MBS11002	PADDED "H" HARNESS BLACK	
3-5	MBS11001	POSITIONING BELT BLACK	
6,7	MBS11003	T-BELT W/ BUCKLE	
1-7	ML26400	"H" HARNESS W/PADDED COVERS	
8	114452	MIGHTY LITE HARNESS KNOBS (PR)	PAIR

Note: item 2 Strap is also know as Adj. Lat. Support & Scoli Strap.



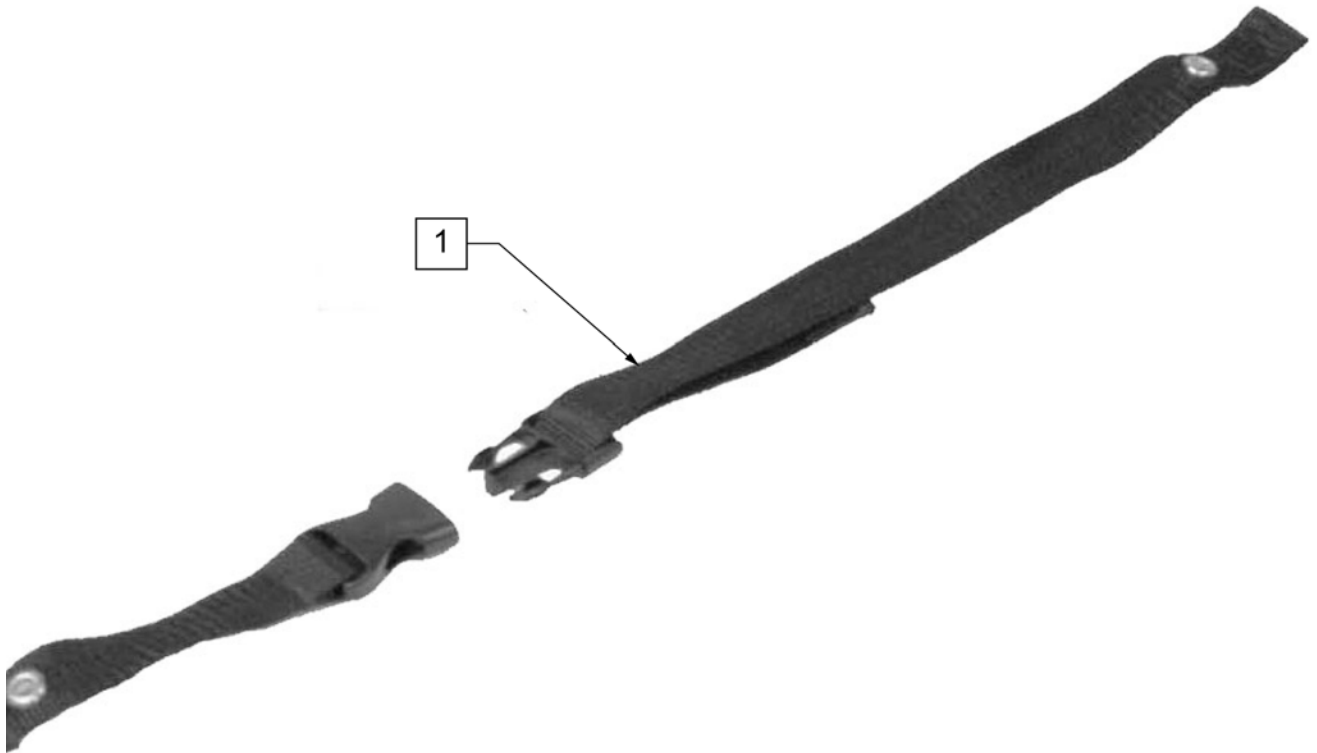
Pos.	Item Number	Description	Pos.	Item Number	Description
1	ML22100-24B	12"-14" BLUE HEADWING	3	ML18100-12B	12" ABDUCTOR BLUE
1	ML22100-24BC	12"-14" BLUE HEADWING CVR	3	ML18100-12R	12" ABDUCTOR RASPBERRY
1	ML22100-24R	12"-14" RASPBERRY HEADWING	3	ML18100-14B	14" ABDUCTOR BLUE
1	ML22100-24RC	12"-14" RASPBERRY HEADWING CVR	3	ML18100-14R	14" ABDUCTOR RASPBERRY
1	ML22100-68B	16"-18" BLUE HEADWING	3	ML18100-16B	16" ABDUCTOR BLUE
1	ML22100-68BC	16"-18" BLUE HEADWING CVR	3	ML18100-16R	16" ABDUCTOR RASPBERRY
1	ML22100-68R	16"-18" RASPBERRY HEADWING	3	ML18100-18B	18" ABDUCTOR BLUE
1	ML22100-68RC	16"-18" RASPBERRY HEADWING CVR	3	ML18100-18R	18" ABDUCTOR RASPBERRY
2	ML26100-12BS	12" BLUE STRAP; SEE NOTE	4	ML12100-12B	12" BLUE WEDGE
2	ML26100-12RS	12" RASPBERRY STRAP; SEE NOTE	4	ML12100-12R	12" RASPBERRY WEDGE
2	ML26100-14BS	14" BLUE STRAP; SEE NOTE	4	ML12100-14B	14" BLUE WEDGE
2	ML26100-14RS	14" RASPBERRY STRAP; SEE NOTE	4	ML12100-14R	SEAT WEDGE 14 INCH RASPBERRY
2	ML26100-16BS	16" BLUE STRAP; SEE NOTE	4	ML12100-16B	SEAT WEDGE 16 INCH BLUE
2	ML26100-16RS	16" RASPBERRY STRAP; SEE NOTE	4	ML12100-16R	16" RASPBERRY WEDGE
2	ML26100-18BS	18" BLUE STRAP; SEE NOTE	4	ML12100-18B	18" BLUE WEDGE
2	ML26100-18RS	18" RASPBERRY STRAP; SEE NOTE	4	ML12100-18R	18" RASPBERRY WEDGE



Pos.	Item Number	Description
1	ML26400	"H" HARNESS W/PADDED COVERS
2	ML26200-12BS	12" BLUE VEST
2	ML26200-12RS	12" RASPBERRY VEST
2	ML26200-14BS	14" BLUE VEST
2	ML26200-14RS	14" RASPBERRY VEST
2	ML26200-16BS	16" BLUE VEST
2	ML26200-16RS	16" RASPBERRY VEST
2	ML26200-18BS	18" BLUE VEST
2	ML26200-18RS	18" RASPBERRY VEST
3	ML26300	THREE POINT POSITIONING BELT



Pos.	Item Number	Description
1	ML34100-12	12" TRAY
1	ML34100-14	14" TRAY
1	ML34100-16	16" TRAY
1	ML34100-18	18" TRAY



Pos.	Item Number	Description
1	MBS12001	FOLDING RETENTION STRAP



Pos.	Item Number	Description	Remarks
1	ML99200-12B	MITY LITE 12 INCH CANOPY BLUE	With attachment hardware
1	ML99200-12R	MITY LITE 12 " CANOPY RASP	With attachment hardware
1	ML99200-14B	MITY LITE 14 INCH CANOPY BLUE	With attachment hardware
1	ML99200-14R	MITY LITE 14 " CANOPY RASP	With attachment hardware
1	ML99200-16B	MITY LITE 16 INCH CANOPY BLUE	With attachment hardware
1	ML99200-16R	MITY LITE 16 " CANOPY RASP	With attachment hardware
1	ML99200-18B	MITY LITE 18 INCH CANOPY BLUE	With attachment hardware
1	ML99200-18R	MITY LITE 18 " CANOPY RASP	With attachment hardware
1	ML99200-24B	12"-14" BLUE CANOPY	With attachment hardware
1	ML99200-24R	12"-14" RASPBERRY CANOPY	With attachment hardware
1	ML99200-68B	16"-18" BLUE CANOPY	With attachment hardware
1	ML99200-68R	16"-18" RASPBERRY CANOPY	With attachment hardware
2	ML99100	UTILITY BAG	

